

Project

Type



Date

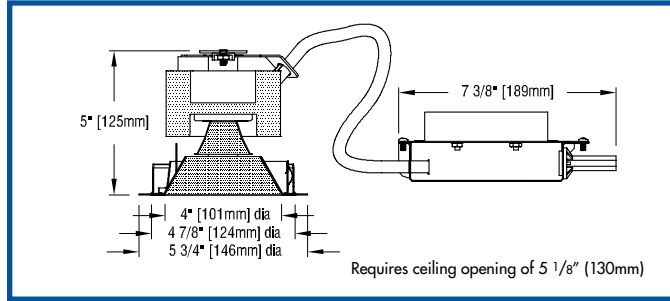
Product Code

Designer

# PRESTO™ FOUR LED DL

recessed LED downlight remodeler

PRECISE OPTICS - PRECISE OPTICS - PRECISE OPTICS - PRECISE OPTICS - PRECISE OPTICS - PRECISE OPTICS - PRECISE OPTICS



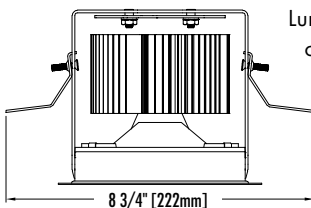
## FEATURES

- **Presto Four LED DL is an efficacious, 4" aperture, LED remodeler downlight** powered by one of a number of Xicato® XTM 19mm modules – including Artist Series and Vibrant Series modules – all of which are distinguished by extraordinary color consistency (within 1x2-step MacAdam ellipse). See tables below for wattages and efficiencies.
- **Luminaire includes an internal reflector to produce a 36° or 54° beam spread.** To allow beam spread to be changed after installation, internal reflectors are also available as accessories.
- **Luminaire may be ordered with a number of drivers.**
- **An optional integral holder (-DG) is available to permit the use of one or two [Optical Accessories](#)** (spread lenses, color filters, screens, etc.). A complimentary prismatic lens is included with this option.
- **Reflectors are available in three clear natural aluminum finishes** — semi-specular (C), slightly diffuse (V) or fully diffuse (EC) — as well as champagne gold or black Alzak®. Other finishes available on special order. A LightPlate™ decorative trim may be ordered instead of a standard reflector.
- **Trim flange conceals edges of ceiling installation hole.** Standard finish is white; custom paint finish available on special order.
- **For more information, [click here](#).**

## APPLICATIONS

Installation locations should offer the following conditions:

- ceiling material 2" or less thick capable of supporting 16 pounds
- recess depth of at least 5"
- plenum free of joists or obstructions for at least 11" from center along one side (to accommodate junction box).



Luminaire is listed for Damp Location, RoHA compliant and prewired with a thermal protector. Removal of the reflector allows access to the driver and junction box.

Flush trim model, see [PRESTINA FOUR LED DL](#)  
 Standard recessed, see [FOUR HI DL](#)  
 For higher efficacies, see [PRESTO WAFER/4 DL](#)  
 For retrofit LED lamp, see [PRESTO MRE/4 DL](#)

## PRODUCT CODE

For complete product code, list basic unit and select one item from each following box.

|   |  |
|---|--|
| Basic Unit.....   | PST-XTM-4DL                                  |
| Custom painted trim flange available on special order. Add -CC  |  |
| Internal Reflector  |  |
| 36° initial beamspread .....  | - 36D  |
| 54° initial beamspread .....  | - 54D  |
| Light Source Output   |  |
| 700 lumens / CRI 98 Artist .....  | <i>DMP driver not available</i> ..... - L07A |
| 1000 lumens / CRI 98 Artist .....   | - L10A                                       |
| 1000 lumens / CRI 80+.....  | - L10S                                       |
| 1000 lumens / CRI 80+ Vibrant .....   | <i>3000K only</i> ..... - L10V               |
| 1300 lumens / CRI 98 Artist .....   | - L13A                                       |
| 1300 lumens / CRI 80+ .....   | - L13S                                       |
| 1300 lumens / CRI 80+ Vibrant .....   | <i>3000K only</i> ..... - L13V               |
| 1600 lumens / CRI 98 Artist .....   | - L16A                                       |
| 1600 lumens / CRI 80+.....  | - L16S                                       |
| 1600 lumens / CRI 80+ Vibrant .....   | <i>3000K only</i> ..... - L16V               |
| 2000 lumens / CRI 80+.....  | - L20S                                       |
| 2000 lumens / CRI 80+ Vibrant .....   | <i>3000K only</i> ..... - L20V               |
| 2100 lumens / CRI 98 Artist .....   | - L21A                                       |
| 2700 lumens / CRI 80+.....  | - L27S                                       |
| 2700 lumens / CRI 80+ Vibrant .....   | <i>3000K only</i> ..... - L27V               |
| Light Color   |  |
| 2700 K.....   | - 27K  |
| 3000 K.....   | - 30K  |
| 3500 K.....   | - 35K  |
| 4000 K.....   | - 40K  |
| Driver  |  |
| dimmable to 1% by a 0-10V dimmer on 120 or 277-volt service ....  | - DMV  |
| dimmable to 5% by either an incandescent or ELV dimmer;<br>120-volt service only; not suitable for 700 lumen source (L07A)..... | - DMP  |
| eldoLED 0-10V (Logarithmic) driver dimmable to 0.1% with a<br>0-10V dimmer on 120 or 277-volt service .....                     | - DV0ELG                                     |
| eldoLED 0-10V (Linear) driver dimmable to 0.1% with a<br>0-10V dimmer on 120 or 277-volt service .....                          | - DV0ELN                                     |
| eldoLED driver dimmable to 0.1%, compatible with<br>Dali control system .....   | - DA0-EL                                     |
| Voltage   |  |
| 120 volt.....   | - 120  |
| 277 volt.....   | - 277  |
| Reflector Color   |  |
| Semi-specular Clear .....   | - CTF  |
| Slightly diffuse Clear .....  | - VTF  |
| Fully diffuse Clear .....   | - ECTF                                       |
| Champagne Gold.....   | - GTF  |
| Black .....   | - BTF  |
| Other reflector finishes available on special order.  |  |
| <i>A LightPlate decorative trim (see over) may be ordered instead of the standard reflectors above.</i>                         |  |
| LightPlate <b>Downlight Spot</b> , white .....  | - DP-TF                                      |
| Custom painted LightPlate are available on special order. Add -CC   |  |

## OPTIONS *Specify by adding to the basic unit.*

|  |      |
|--|------|
| <b>Integral holder for Optical Accessories</b> (see over);<br>Includes Solite pattern prismatic lens ..... | - DG |
|--|------|

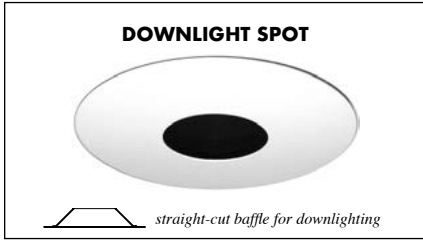
## EXTRA REFLECTORS *Specify as separate line items.*

|                                     |                |
|-------------------------------------|----------------|
| <b>36° internal reflector</b> ..... | - XTM-REF36-50 |
| <b>54° internal reflector</b> ..... | - XTM-REF54-50 |

## OPTICAL ACCESSORIES ▼ *See next page*



## LIGHTPLATES LightPlate may be used instead of external reflector.



## OPTICAL ACCESSORIES Specify as separate line

Specify as separate line items. For use only with the "Integral holder... - DG" Option listed above.  
All are 2 3/4" (70mm) diameter.

|   |   |
|---|---|
| <b>diffuse glass</b> .....              | DGS/2.75                                  |
| <b>prismatic lens (Solite)</b> .....    | (included with - DG option)..... PLS/2.75 |
| <b>55° spread lens</b> .....            | LENS/2.75                                 |
| <b>40° x 70° spread lens</b> .....      | LENS/2.75-4070                            |
| <b>beam smoother</b> .....              | DIF05/2.75                                |
| <b>33% light reduction screen</b> ..... | SCR33/2.75                                |
| <b>50% light reduction screen</b> ..... | SCR50/2.75                                |

### color filters

|                     |          |
|---------------------|----------|
| surprise pink ..... | PNK/2.75 |
| daylight blue.....  | DAY/2.75 |
| amber .....         | AMB/2.75 |
| blue .....          | BLU/2.75 |
| green .....         | GRN/2.75 |
| red .....           | RED/2.75 |

See below for photometric reports

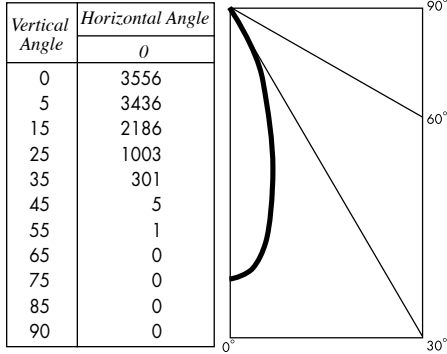


## PHOTOMETRIC REPORT with 36° reflector (tested per IESNA LM-79-2008)

Verification Services Report No. 1173020. Original test report furnished upon request.

Luminaire ..... recessed LED round downlight with semi-specular clear aluminum reflector  
 Light Source ..... one white Xicato XTM 19mm LES LED with 36° beam spread integral reflector, 3000K CCT, 80 CRI, 2000 lumens  
 Spacing Criteria ..... 0.6

### CANDLEPOWER DISTRIBUTION (Candela)



### LUMINANCE DATA

| Vertical Angle | Candela/m <sup>2</sup> |
|----------------|------------------------|
| 45             | 934                    |
| 55             | 190                    |
| 65             | 64                     |
| 75             | 55                     |
| 85             | 0                      |

### ZONAL LUMEN SUMMARY

| Zone      | Lumens | % Fixture |
|-----------|--------|-----------|
| 0 - 40°   | 1555   | 99.6      |
| 0 - 60°   | 1561   | 100.0     |
| 0 - 90°   | 1562   | 100.0     |
| 90 - 180° | 0      | 0.0       |
| 0 - 180°  | 1562   | 100.0     |

### LUMINAIRE LIGHT OUTPUT AND EFFICACY

| LED Light Engine               | Luminaire Light Output | Luminaire Efficacy (lms/watt) | System Wattage |
|--------------------------------|------------------------|-------------------------------|----------------|
| 700 Lumens Artist              | 571*                   | 46*                           | 12             |
| 1000 Lumens Artist             | 757*                   | 45*                           | 17             |
| 1300 Lumens Artist             | 1000*                  | 47*                           | 21             |
| 1600 Lumens Artist             | 1216*                  | 56*                           | 22             |
| 2100 Lumens Artist             | 1614*                  | 55*                           | 29             |
| 1000 Lumens standard & Vibrant | 765*                   | 62*                           | 12             |
| 1300 Lumens standard & Vibrant | 1020*                  | 61*                           | 17             |
| 1600 Lumens standard & Vibrant | 1232*                  | 63*                           | 19             |
| 2000 Lumens standard & Vibrant | 1562                   | 72                            | 22             |
| 2700 Lumens standard & Vibrant | 2036*                  | 70*                           | 29             |

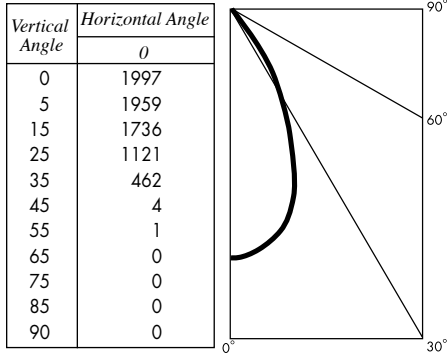
\*estimated values

## PHOTOMETRIC REPORT with 54° reflector (tested per IESNA LM-79-2008)

Verification Services Report No. 1173021. Original test report furnished upon request.

Luminaire ..... recessed LED round downlight with semi-specular clear aluminum reflector  
 Light Source ..... one white Xicato XTM 19mm LES LED with 54° beam spread integral reflector, 3000K CCT, 80 CRI, 2000 lumens  
 Spacing Criteria ..... 0.9

### CANDLEPOWER DISTRIBUTION (Candela)



### LUMINANCE DATA

| Vertical Angle | Candela/m <sup>2</sup> |
|----------------|------------------------|
| 45             | 641                    |
| 55             | 163                    |
| 65             | 91                     |
| 75             | 36                     |
| 85             | 0                      |

### ZONAL LUMEN SUMMARY

| Zone      | Lumens | % Fixture |
|-----------|--------|-----------|
| 0 - 40°   | 1454   | 98.3      |
| 0 - 60°   | 1478   | 100.0     |
| 0 - 90°   | 1479   | 100.0     |
| 90 - 180° | 0      | 0.0       |
| 0 - 180°  | 1479   | 100.0     |

### LUMINAIRE LIGHT OUTPUT AND EFFICACY

| LED Light Engine               | Luminaire Light Output | Luminaire Efficacy (lms/watt) | System Wattage |
|--------------------------------|------------------------|-------------------------------|----------------|
| 700 Lumens Artist              | 540*                   | 44*                           | 12             |
| 1000 Lumens Artist             | 717*                   | 43*                           | 17             |
| 1300 Lumens Artist             | 947*                   | 45*                           | 21             |
| 1600 Lumens Artist             | 1151*                  | 53*                           | 22             |
| 2100 Lumens Artist             | 1528*                  | 52*                           | 29             |
| 1000 Lumens standard & Vibrant | 724*                   | 58*                           | 12             |
| 1300 Lumens standard & Vibrant | 966*                   | 57*                           | 17             |
| 1600 Lumens standard & Vibrant | 1166*                  | 60*                           | 19             |
| 2000 Lumens standard & Vibrant | 1479                   | 68                            | 22             |
| 2700 Lumens standard & Vibrant | 1928*                  | 66*                           | 29             |

\*estimated values

## STANDARD DMV DRIVER INFORMATION (UL Class 2, dry and damp location)

| Voltage   | 120                              | 277                              |
|---|----------------------------------|----------------------------------|
| Input Watts (L07A/L10A/L13A/L16A/L21A/L10S&V/L13S&V/L16S&V/L20S&V/L27S&V)       | 12/17/21/22/29/12/17/19/22/29    | 12/17/21/22/29/12/17/19/22/29    |
| Input Current (A) (L07A/L10A/L13A/L16A/L21A/L10S&V/L13S&V/L16S&V/L20S&V/L27S&V) | .10/.14/.18/18/24/10/14/16/18/24 | .04/.06/.08/08/10/04/06/07/08/10 |
| Output Current (mA)   | 350-700                          | 350-700                          |
| Min. Power Factor   | .99                              | .99                              |
| Operating Temperature Range (F)   | -13 to 122                       | -13 to 122                       |

## LIGHT OUTPUT MULTIPLIER

| LED Light Engine               | Light Output Multiplier |
|--------------------------------|-------------------------|
| 700 Lumens Artist              | .37*                    |
| 1000 Lumens Artist             | .48*                    |
| 1300 Lumens Artist             | .64*                    |
| 1600 Lumens Artist             | .78*                    |
| 2100 Lumens Artist             | 1.03*                   |
| 1000 Lumens standard & Vibrant | .49*                    |
| 1300 Lumens standard & Vibrant | .65*                    |
| 1600 Lumens standard & Vibrant | .79*                    |
| 2000 Lumens standard & Vibrant | 1                       |
| 2700 Lumens standard & Vibrant | 1.30*                   |

\*estimated values

## REFLECTOR COLOR MULTIPLIERS

|                            |     |
|----------------------------|-----|
| Semi-specular clear (C)    | 1   |
| Slightly diffuse clear (V) | .95 |
| Fully diffuse clear (EC)   | .88 |
| Champagne gold clear (G)   | .95 |
| Black (B)                  | .49 |

