

Project

Type



Date

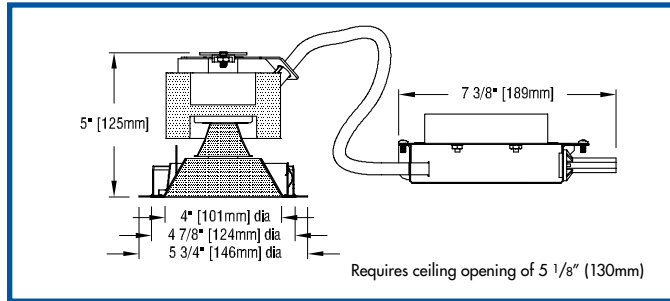
Product Code

Designer

PRESTO™ FOUR LED DL

recessed LED downlight remodeler

PRECISE OPTICS - PRECISE OPTICS - PRECISE OPTICS - PRECISE OPTICS - PRECISE OPTICS - PRECISE OPTICS - PRECISE OPTICS



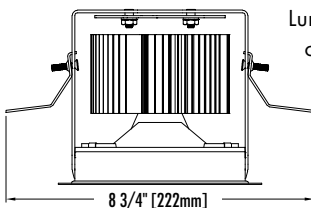
FEATURES

- Presto Four LED DL is an efficacious, 4" aperture, LED remodeler downlight powered by one of a number of Xicato® XTM 19mm modules – including Artist Series and Vibrant Series modules – all of which are distinguished by extraordinary color consistency (within 1x2-step MacAdam ellipse). See tables below for wattages and efficiencies.
- Luminaire includes an internal reflector to produce a 36° or 54° beam spread. To allow beam spread to be changed after installation, internal reflectors are also available as accessories.
- Luminaire may be ordered with a number of drivers.
- An optional integral holder (-DG) is available to permit the use of one or two [Optical Accessories](#) (spread lenses, color filters, screens, etc.). A complimentary prismatic lens is included with this option.
- [Reflectors](#) are available in three clear natural aluminum finishes — semi-specular (C), slightly diffuse (V) or fully diffuse (EC) — as well as champagne gold or black Alzak®. Other finishes available on special order. A LightPlate™ decorative trim may be ordered instead of a standard reflector.
- Trim flange conceals edges of ceiling installation hole. Standard finish is white; custom paint finish available on special order.
- For more information, [click here](#).

APPLICATIONS

Installation locations should offer the following conditions:

- ceiling material 2" or less thick capable of supporting 16 pounds
- recess depth of at least 5"
- plenum free of joists or obstructions for at least 11" from center along one side (to accommodate junction box).



Luminaire is listed for Damp Location, RoHA compliant and prewired with a thermal protector. Removal of the reflector allows access to the driver and junction box.

Flush trim model, see [PRESTINA FOUR LED DL](#)
 Standard recessed, see [FOUR HI DL](#)
 For higher efficacies, see [PRESTO WAFER/4 DL](#)
 For retrofit LED lamp, see [PRESTO MRE/4 DL](#)

PRODUCT CODE

For complete product code, list basic unit and select one item from each following box.

Basic Unit.....	PST-XTM-4DL
Custom painted trim flange available on special order. Add -CC	
Internal Reflector	
36° initial beamspread	- 36D
54° initial beamspread	- 54D
Light Source Output	
700 lumens / CRI 98 Artist	DMP driver not available - L07A
1000 lumens / CRI 98 Artist	- L10A
1000 lumens / CRI 80+.....	- L10S
1000 lumens / CRI 80+ Vibrant	3000K only - L10V
1300 lumens / CRI 98 Artist	- L13A
1300 lumens / CRI 80+	- L13S
1300 lumens / CRI 80+ Vibrant	3000K only..... - L13V
1600 lumens / CRI 98 Artist	- L16A
1600 lumens / CRI 80+.....	- L16S
1600 lumens / CRI 80+ Vibrant	3000K only..... - L16V
2000 lumens / CRI 80+.....	- L20S
2000 lumens / CRI 80+ Vibrant	3000K only - L20V
2100 lumens / CRI 98 Artist	- L21A
2700 lumens / CRI 80+.....	- L27S
2700 lumens / CRI 80+ Vibrant	3000K only - L27V
Light Color	
2700 K.....	- 27K
3000 K.....	- 30K
3500 K.....	- 35K
4000 K.....	- 40K
Driver	
dimmable to 1% by a 0-10V dimmer on 120 or 277-volt service	- DMV
dimmable to 5% by either an incandescent or ELV dimmer; 120-volt service only; not suitable for 700 lumen source (L07A).....	- DMP
eldoLED 0-10V (Logarithmic) driver dimmable to 0.1% with a 0-10V dimmer on 120 or 277-volt service	- DV0ELG
eldoLED 0-10V (Linear) driver dimmable to 0.1% with a 0-10V dimmer on 120 or 277-volt service	- DV0ELN
eldoLED driver dimmable to 0.1%, compatible with Dali control system	- DA0-EL
Voltage	
120 volt.....	- 120
277 volt.....	- 277
Reflector Color	
Semi-specular Clear	CTF
Slightly diffuse Clear	VTF
Fully diffuse Clear	ECTF
Champagne Gold.....	GTF
Black	BTF
Other reflector finishes available on special order.	
A LightPlate decorative trim (see over) may be ordered instead of the standard reflectors above.	
LightPlate Downlight Spot, white	DP-TF
Custom painted LightPlate are available on special order. Add -CC	

OPTIONS Specify by adding to the basic unit.

Integral holder for Optical Accessories (see over);
 Includes Solite pattern prismatic lens - DG

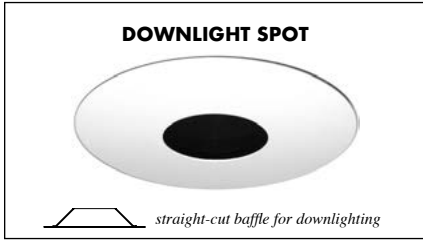
EXTRA REFLECTORS Specify as separate line items.

36° internal reflector XTM-REF36-50
 54° internal reflector XTM-REF54-50

OPTICAL ACCESSORIES ▼ See next page



LIGHTPLATES LightPlate may be used instead of external reflector.



OPTICAL ACCESSORIES Specify as separate line

Specify as separate line items. For use only with the “Integral holder... - DG” Option listed above.
All are 2 3/4” (70mm) diameter.

diffuse glass	DGS/2.75	color filters	
prismatic lens (Solite)	(included with - DG option)..... PLS/2.75	surprise pink	PNK/2.75
55° spread lens	LENS/2.75	daylight blue.....	DAY/2.75
40° x 70° spread lens	LENS/2.75-4070	amber	AMB/2.75
beam smoother	DIF05/2.75	blue	BLU/2.75
33% light reduction screen	SCR33/2.75	green	GRN/2.75
50% light reduction screen	SCR50/2.75	red	RED/2.75

See below for photometric reports

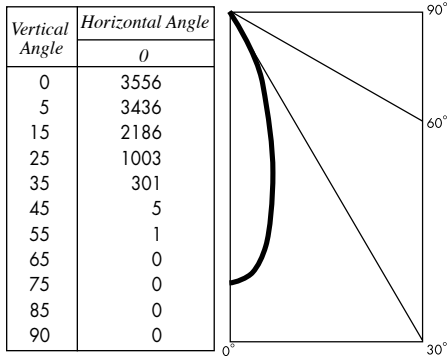


PHOTOMETRIC REPORT with 36° reflector (tested per IESNA LM-79-2008)

Verification Services Report No. 1173020. Original test report furnished upon request.

Luminaire recessed LED round downlight with semi-specular clear aluminum reflector
 Light Source one white Xicato XTM 19mm LES LED with 36° beam spread integral reflector, 3000K CCT, 80 CRI, 2000 lumens
 Spacing Criteria 0.6

CANDLEPOWER DISTRIBUTION (Candela)



LUMINANCE DATA

Vertical Angle	Candela/m ²
45	934
55	190
65	64
75	55
85	0

ZONAL LUMEN SUMMARY

Zone	Lumens	% Fixture
0 - 40°	1555	99.6
0 - 60°	1561	100.0
0 - 90°	1562	100.0
90 - 180°	0	0.0
0 - 180°	1562	100.0

LUMINAIRE LIGHT OUTPUT AND EFFICACY

LED Light Engine	Luminaire Light Output	Luminaire Efficacy (lms/watt)	System Wattage
700 Lumens Artist	571*	46*	12
1000 Lumens Artist	757*	45*	17
1300 Lumens Artist	1000*	47*	21
1600 Lumens Artist	1216*	56*	22
2100 Lumens Artist	1614*	55*	29
1000 Lumens standard & Vibrant	765*	62*	12
1300 Lumens standard & Vibrant	1020*	61*	17
1600 Lumens standard & Vibrant	1232*	63*	19
2000 Lumens standard & Vibrant	1562	72	22
2700 Lumens standard & Vibrant	2036*	70*	29

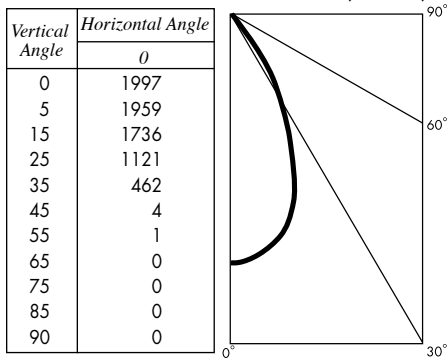
*estimated values

PHOTOMETRIC REPORT with 54° reflector (tested per IESNA LM-79-2008)

Verification Services Report No. 1173021. Original test report furnished upon request.

Luminaire recessed LED round downlight with semi-specular clear aluminum reflector
 Light Source one white Xicato XTM 19mm LES LED with 54° beam spread integral reflector, 3000K CCT, 80 CRI, 2000 lumens
 Spacing Criteria 0.9

CANDLEPOWER DISTRIBUTION (Candela)



LUMINANCE DATA

Vertical Angle	Candela/m ²
45	641
55	163
65	91
75	36
85	0

ZONAL LUMEN SUMMARY

Zone	Lumens	% Fixture
0 - 40°	1454	98.3
0 - 60°	1478	100.0
0 - 90°	1479	100.0
90 - 180°	0	0.0
0 - 180°	1479	100.0

LUMINAIRE LIGHT OUTPUT AND EFFICACY

LED Light Engine	Luminaire Light Output	Luminaire Efficacy (lms/watt)	System Wattage
700 Lumens Artist	540*	44*	12
1000 Lumens Artist	717*	43*	17
1300 Lumens Artist	947*	45*	21
1600 Lumens Artist	1151*	53*	22
2100 Lumens Artist	1528*	52*	29
1000 Lumens standard & Vibrant	724*	58*	12
1300 Lumens standard & Vibrant	966*	57*	17
1600 Lumens standard & Vibrant	1166*	60*	19
2000 Lumens standard & Vibrant	1479	68	22
2700 Lumens standard & Vibrant	1928*	66*	29

*estimated values

STANDARD DMV DRIVER INFORMATION (UL Class 2, dry and damp location)

Voltage	120	277
Input Watts (L07A/L10A/L13A/L16A/L21A/L10S&V/L13S&V/L16S&V/L20S&V/L27S&V)	12/17/21/22/29/12/17/19/22/29	12/17/21/22/29/12/17/19/22/29
Input Current (A) (L07A/L10A/L13A/L16A/L21A/L10S&V/L13S&V/L16S&V/L20S&V/L27S&V)	.10/.14/.18/18/24/10/14/16/18/24	.04/.06/.08/08/10/04/06/07/08/10
Output Current (mA)	350-700	350-700
Min. Power Factor	.99	.99
Operating Temperature Range (F)	-13 to 122	-13 to 122

LIGHT OUTPUT MULTIPLIER

LED Light Engine	Light Output Multiplier
700 Lumens Artist	.37*
1000 Lumens Artist	.48*
1300 Lumens Artist	.64*
1600 Lumens Artist	.78*
2100 Lumens Artist	1.03*
1000 Lumens standard & Vibrant	.49*
1300 Lumens standard & Vibrant	.65*
1600 Lumens standard & Vibrant	.79*
2000 Lumens standard & Vibrant	1
2700 Lumens standard & Vibrant	1.30*

*estimated values

REFLECTOR COLOR MULTIPLIERS

Semi-specular clear (C)	1
Slightly diffuse clear (V)	.95
Fully diffuse clear (EC)	.88
Champagne gold clear (G)	.95
Black (B)	.49

