

Project

Type



Date

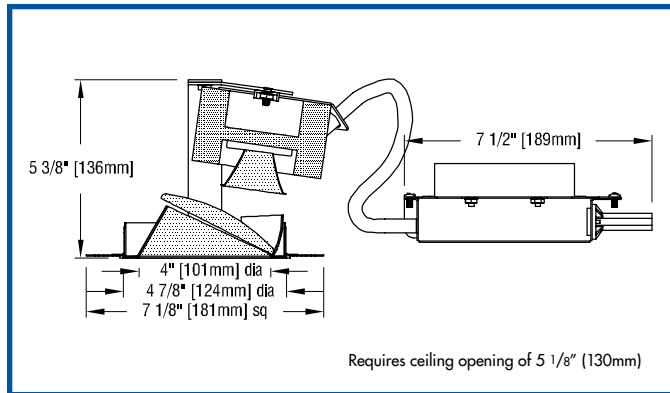
Product Code

Designer

PRESTINA™ FOUR LED WL

recessed LED wallwasher trim flush remodeler

PRECISE OPTICS - PRECISE OPTICS - PRECISE OPTICS - PRECISE OPTICS - PRECISE OPTICS - PRECISE OPTICS - PRECISE OPTICS



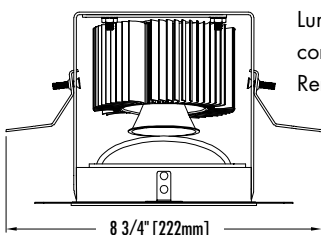
FEATURES

- **Prestina FOUR LED WL is a 4" aperture LED remodeler wallwasher** designed for installation from below in a sheet rock ceiling to achieve a flush reflector trim detail. Installation includes the application of drywall compound over the integral spackle screen to the rim of the integral plaster ring.
- **Luminaire is powered by one of a number of Xicato® XTM 19mm modules – including Artist Series and Vibrant Series modules** – all of which are distinguished by extraordinary color consistency (within 1 x2-step MacAdam ellipse). See tables on the reverse for wattages and efficiencies.
- **Luminaire optical assembly includes two internal reflectors, a 40° x 70° spread lens and an external reflector.** Precise reflector design provides uniform illumination on vertical surfaces up to the ceiling line and minimizes aperture brightness. Recess depth is 5 3/8".
- **Luminaire may be ordered with a number of drivers.**
- **Reflectors are available in three clear natural aluminum finishes** —semi-specular (C), slightly diffuse (V) or fully diffuse (EC) — as well as champagne gold or black Alzak®. Other finishes available on special order.
- **For more information, [click here](#).**

APPLICATIONS

Installation locations should offer the following conditions:

- ceiling material 2" or less thick capable of supporting 16 pounds
- recess depth of at least 5 3/8"
- plenum free of joists or obstructions for at least 11" from center along one side (to accommodate junction box).



Luminaire is listed for Damp Location, RoHA compliant and prewired with a thermal protector. Removal of the reflector allows access to the LED array, driver and junction box.

PRODUCT CODE

For complete product code, list basic unit and select one item from each following box.

Basic UnitPST-XTM-4WL-TFR

Light Source Output

700 lumens / CRI 98 ArtistDMP driver not available.....	L07A
1000 lumens / CRI 98 Artist	L10A
1000 lumens / CRI 80+.....	L10S
1000 lumens / CRI 80+ Vibrant3000K only	L10V
1300 lumens / CRI 98 Artist	L13A
1300 lumens / CRI 80+	L13S
1300 lumens / CRI 80+ Vibrant3000K only	L13V
1600 lumens / CRI 98 Artist	L16A
1600 lumens / CRI 80+.....	L16S
1600 lumens / CRI 80+ Vibrant3000K only	L16V
2000 lumens / CRI 80+.....	L20S
2000 lumens / CRI 80+ Vibrant3000K only	L20V
2100 lumens / CRI 98 Artist	L21A
2700 lumens / CRI 80+.....	L27S
2700 lumens / CRI 80+ Vibrant3000K only	L27V

Light Color

2700 K.....	- 27K
3000 K.....	- 30K
3500 K	- 35K
4000 K.....	- 40K

Driver

dimmable to 1% by a 0-10V dimmer on 120 or 277-volt service– DMV

dimmable to 5% by either an incandescent or ELV dimmer; 120-volt service only; not suitable for 700 lumen source (L07A) ..– DMP

eldoLED 0-10V (Logarithmic) driver dimmable to 0.1% with a 0-10V dimmer on 120 or 277-volt service– DVOELG

eldoLED 0-10V (Linear) driver dimmable to 0.1% with a 0-10V dimmer on 120 or 277-volt service– DVOELN

eldoLED driver dimmable to 0.1%, compatible with Dali control system– DA0-EL

Voltage

120 volt.....	- 120
277 volt.....	- 277

Reflector Color

Semi-specular Clear.....	CTF
Slightly diffuse Clear.....	VTF
Fully diffuse Clear.....	ECTF
Champagne Gold	GTF
Black	BTF

Other reflector finishes available on special order.

Overlap trim model, see [PRESTO FOUR LED WL](#)

Standard recessed, see [FOUR HI WL](#)

For higher efficacies, see [PRESTINA WAFER/4 WL](#)

For retrofit LED lamp, see [PRESTINA MRE/4 WL](#)



41-50 22ND STREET, LIC NY 11101 TEL 718.685.0700 FAX 718.786.8530 www.epl.com
U.S. Patent No. US 7,744,256 B2 (June 29, 2010)
©Copyright, Edison Price Lighting 2019

PRESTINA FOUR LED WL



PHOTOMETRIC REPORT (tested per IESNA LM-79-2008)

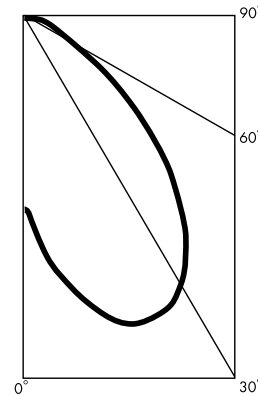
UL Verification Services Report No. 1173024. Original test report furnished upon request.

Luminaire recessed LED round lensed wallwasher with semi-specular clear aluminum reflector
 Light Source one white Xicato XTM 19mm LES LED with 54° beam spread integral reflector, 3000K CCT, 80 CRI, 2000 lumens
 Lamp Life rated 50,000 hours based on L70/B50 criteria. LM80 report by LED manufacturer furnished upon request

WALLWASH INFORMATION 2000 lumens LED light output

Distance From Ceiling (Feet)	2' 6" From Wall; 2' 6" O.C.		3' From Wall; 3' O.C.		3' 6" From Wall; 3' 6" O.C.	
	Below Fixture	Between Fixtures	Below Fixture	Between Fixtures	Below Fixture	Between Fixtures
1	12	10	7	6	4	4
2	27	22	15	12	9	7
3	29	27	21	18	14	12
4	24	23	19	18	15	14
5	18	17	16	16	13	13
6	13	13	13	13	11	11
7	10	10	10	10	9	9
8	8	8	8	8	7	7
9	6	6	6	6	6	6
10			5	5	5	5

CANDLEPOWER DISTRIBUTION



STANDARD DMV DRIVER INFORMATION (UL Class 2, dry and damp location)

Voltage	120	277
Input Watts (L07A/L10A/L13A/L16A/L21A/L10S&V/L13S&V/L16S&V/L20S&V/L27S&V)	12/17/21/22/29/12/17/19/22/29	12/17/21/22/29/12/17/19/22/29
Input Current [A] (L07A/L10A/L13A/L16A/L21A/L10S&V/L13S&V/L16S&V/L20S&V/L27S&V)	.10/.14/.18/18/24/.10/.14/.16/18/24	.04/.06/.08/08/10/.04/.06/.07/08/10
Output Current (mA)	350-700	350-700
Min. Power Factor	.99	.99
Operating Temperature Range (F)	-13 to 122	-13 to 122

LIGHT OUTPUT MULTIPLIER

LED Light Engine	Light Output Multiplier
700 Lumens Artist	.37*
1000 Lumens Artist	.48*
1300 Lumens Artist	.64*
1600 Lumens Artist	.78*
2100 Lumens Artist	1.03*
1000 Lumens standard & Vibrant	.49*
1300 Lumens standard & Vibrant	.65*
1600 Lumens standard & Vibrant	.79*
2000 Lumens standard & Vibrant	1
2700 Lumens standard & Vibrant	1.30*

*estimated values

LUMINAIRE LIGHT OUTPUT AND EFFICACY

LED Light Engine	Luminaire Light Output	Luminaire Efficacy (lms/watt)	System Wattage
700 Lumens Artist	213*	17*	12
1000 Lumens Artist	283*	17*	17
1300 Lumens Artist	373*	18*	21
1600 Lumens Artist	454*	21*	22
2100 Lumens Artist	602*	21*	29
1000 Lumens standard & Vibrant	285*	23*	12
1300 Lumens standard & Vibrant	381*	23*	17
1600 Lumens standard & Vibrant	460*	24*	19
2000 Lumens standard & Vibrant	583	27	22
2700 Lumens standard & Vibrant	760*	26*	29

*estimated values

REFLECTOR COLOR MULTIPLIERS

Reflector Color	Multiplier
Semi-specular clear (C)	1
Slightly diffuse clear (V)	.99
Fully diffuse clear (EC)	.88
Champagne gold clear (G)	.99
Black (B)	.80