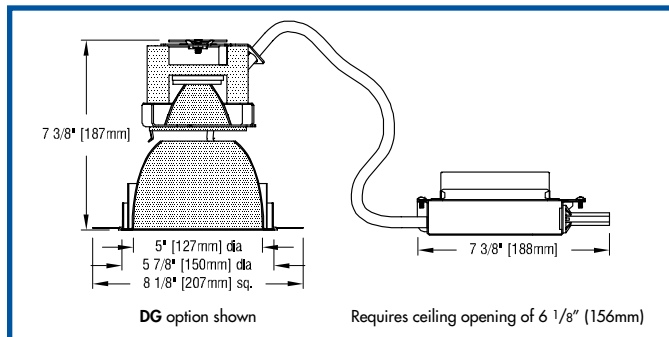




# PRESTINA™ FIVE HI DL

recessed LED downlight trim flush remodeler

FULLY SUSTAINABLE – FULLY SUSTAINABLE – FULLY SUSTAINABLE – FULLY SUSTAINABLE – FULLY SUSTAINABLE – FULLY SUSTAINABLE – FULLY SUSTAINABLE



## FEATURES

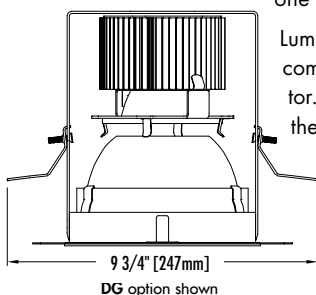
- **Prestina FIVE HI DL is a 5" aperture remodeler downlight** designed for installation from below in a sheetrock ceiling to achieve a flush reflector trim detail. Installation includes the application of drywall compound over the integral spackle screen to the rim of the integral plaster ring.
- **Luminaire is powered by one of a number of Xicato® 19mm XTM LED modules** – including **Artist Series** and **Vibrant Series** modules – all of which are distinguished by extraordinary color consistency (within 1x2-step MacAdam ellipse). See tables below for wattages and efficiencies.
- **Luminaire includes an internal reflector to produce a 20° spot, 40° flood or 60° wide flood beam spread.** To allow beam spread to be changed after installation, internal reflectors are also available as accessories.
- **Precise external reflector design minimizes aperture brightness and provides a shielding angle of 40°.** Recess depth is 7 3/8".
- **Luminaire may be ordered with one of a number of drivers.**
- **An optional integral holder (-DG) is available to permit the use of one or two Optical Accessories** (spread lenses, color filters, screens, etc.). A complimentary prismatic lens is included with this option.
- **Reflectors are available in three clear natural aluminum finishes** — semi-specular (C), slightly diffuse (V) or fully diffuse (EC) — as well as champagne gold or black Alzak®. Other finishes available on special order.
- **For more information, [click here](#).**

## APPLICATIONS

Installation locations should offer the following conditions. <sup>DG option shown</sup>

- ceiling material 2" or less thick capable of supporting 16 pounds
- recess depth of at least 7 3/8"
- plenum free of joists or obstructions for at least 8" from center along one side (to accommodate junction box).

Luminaire is listed for Damp Location, RoHA compliant and prewired with a thermal protector. Removal of the reflector allows access to the driver and junction box.



## PRODUCT CODE

For complete product code, list basic unit and select one item from each following box.

**Basic Unit** ..... PST-XTM-5DL-TRF

**Beam Spread Reflector** (specify one to ship with fixture)

20° spot ..... 20D  
 40° flood ..... 40D  
 60° wide flood ..... 60D

**Light Source Output**

1000 lumens / CRI 98 Artist ..... L10A  
 1300 lumens / CRI 98 Artist ..... L13A  
 1300 lumens / CRI 80+ ..... L13S  
 1300 lumens / CRI 80+ Vibrant ..... 3000K only ..... L13V  
 1600 lumens / CRI 80+ ..... L16S  
 1600 lumens / CRI 80+ Vibrant ..... 3000K only ..... L16V  
 2100 lumens / CRI 98 Artist ..... L21A  
 2100 lumens / CRI 80+ ..... L21S  
 2100 lumens / CRI 80+ Vibrant ..... 3000K only ..... L21V  
 2700 lumens / CRI 80+ ..... L27S  
 2700 lumens / CRI 80+ Vibrant ..... 3000K only ..... L27V

**Driver**

dimmable to 1% by a 0-10V dimmer on 120 or 277-volt service ..... - DMV  
 dimmable to 5% by either an incandescent or ELV dimmer;  
 120-volt service only ..... - DMP  
 eldoLED 0-10V (Logarithmic) driver dimmable to 0.1% with a  
 0-10V dimmer on 120 or 277-volt service ..... - DVOELG  
 eldoLED 0-10V (Linear) driver dimmable to 0.1% with a  
 0-10V dimmer on 120 or 277-volt service ..... - DVOELN  
 eldoLED driver dimmable to 0.1%, compatible with  
 DALI control system ..... - DAO-EL

**Light Color**

2700 K ..... - 27K  
 3000 K ..... - 30K  
 3500 K ..... - 35K  
 4000 K ..... - 40K

**Voltage**

120 volt ..... - 120  
 277 volt ..... - 277

**Reflector Color**

Semi-specular Clear ..... CTF  
 Slightly diffuse Clear ..... VTF  
 Fully diffuse Clear ..... ECTF  
 Champagne Gold ..... GTF  
 Black ..... BTF

Other reflector finishes available on special order.

**OPTIONS** Specify by adding to the basic unit.

**Holder for one or two Optical Accessories** (see over);  
 Includes Solite pattern prismatic lens; note light output  
 reduced by 30% ..... - DG

**EXTRA REFLECTORS** Specify as separate line items.

20° internal reflector ..... XTM-REF20-72  
 40° internal reflector ..... XTM-REF40-72  
 60° internal reflector ..... XTM-REF60-70

**OPTICAL ACCESSORIES** ▼ See next page



## OPTICAL ACCESSORIES *Specify as separate line*

All are 3 3/4" (95mm) diameter.

prismatic lens (Solite) .....	PLS/3.75
55° spread lens .....	LENS/3.75
40° x 70° spread lens .....	LENS/3.75-4070
beam smoother .....	DIF05/3.75
33% light reduction screen .....	SCR33/3.75
50% light reduction screen .....	SCR50/3.75

### color filters

surprise pink .....	PNK/3.75
daylight blue .....	DAY/3.75
amber .....	AMB/3.75
blue .....	BLU/3.75
green .....	GRN/3.75
red .....	RED/3.75

## PHOTOMETRIC REPORT (tested per IESNA LM-79-2008)

Prorated from **LTL** Report No. 226172. Original Luminaire Testing Laboratories, Inc. (LTL) test reports furnished upon request.

Luminaire ..... recessed LED round remodeler downlight with semi-specular clear aluminum reflector (no lens; no DG option)

Lamp ..... Xicato XTM 19mm LED with 40° beam spread integral reflector, 3000K CCT, 3000 lumens

Lamp Life ..... rated 50,000 hours based on L70/B50 criteria. LM80 report by LED manufacturer furnished upon request

Spacing Criteria ..... 0.6 (0.7 for 60° reflector, 0.4 for 20° reflector)

## LUMINAIRE LIGHT OUTPUT AND EFFICACY

(40° beam spread integral reflector)

LED Light Engine	Luminaire Light Output	Luminaire Efficacy (lms/watt)	System Wattage
1000 Lumens Artist	750*	43*	17
1300 Lumens Artist	999*	46*	22
2100 Lumens Artist	1628*	55*	30
1300 Lumens standard & Vibrant	1011*	60*	17
1600 Lumens standard & Vibrant	1232*	65*	19
2100 Lumens standard & Vibrant	1598*	63*	25
2700 Lumens standard & Vibrant	1998*	71*	28

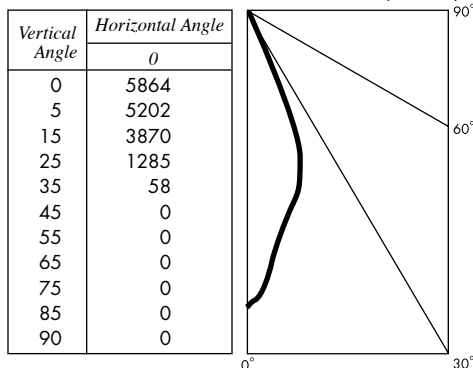
\*estimated values

## LIGHT OUTPUT MULTIPLIER

LED Light Engine	Light Output Multiplier
1000 Lumens Artist	.34*
1300 Lumens Artist	.45*
2100 Lumens Artist	.74*
1300 Lumens standard & Vibrant	.46*
1600 Lumens standard & Vibrant	.56*
2100 Lumens standard & Vibrant	.72*
2700 Lumens standard & Vibrant	.90*

\*estimated values

## CANDLEPOWER DISTRIBUTION (Candela)



## STANDARD (0-10V DIMMING) DRIVER INFORMATION *UL Class 2, dry and damp location*

Voltage	120	277
Input Watts (L10A/L13A/L13S&V/L16S&V/L21S&V/L27S&V lumens)	17/22/30/17/19/25/28	17/22/30/17/19/25/28
Input Current (A) (L10A/L13A/L13S&V/L16S&V/L21S&V/L27S&V lumens)	.14/.18/.25/.14/.16/.21/.23	.06/.08/.11/.06/.07/.09/.10
Output Current (mA)	500-1100	500-1100
Min. Power Factor	>0.9	>0.9
Operating Temperature Range (F)	-4 to 122	-4 to 122

## ZONAL LUMEN SUMMARY

Zone	Lumens	% Fixture
0 - 30°	2144	96.43
0 - 40°	2225	100.0
0 - 60°	2225	100.0
0 - 90°	2225	100.0
90 - 180°	0	0.0
0 - 180°	2225	100.0

## LUMINANCE DATA (Candela/m<sup>2</sup>)

Vertical Angle	Horizontal Angles	
	0	
45	0	
55	0	
65	0	
75	0	
85	0	

## REFLECTOR COLOR MULTIPLIERS

Semi-specular clear (C)	1
Slightly diffuse clear (V)	.95
Fully diffuse clear (EC)	.88
Champagne gold clear (G)	.95
Black (B)	.49