

Project

Type



Date

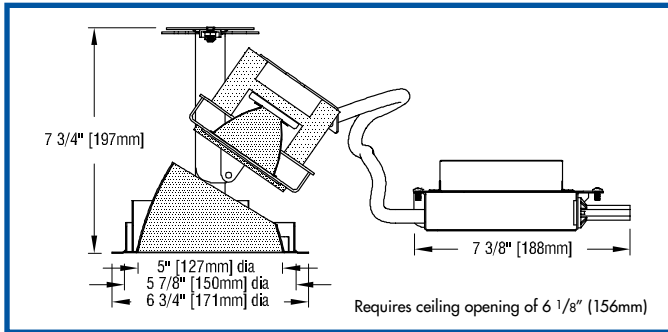
Product Code

Designer

PRESTO™ FIVE HI AA

recessed LED accent light remodeler

PRECISE OPTICS - PRECISE OPTICS - PRECISE OPTICS - PRECISE OPTICS - PRECISE OPTICS - PRECISE OPTICS - PRECISE OPTICS



FEATURES

- **Presto FIVE HI AA is a 5" aperture, remodeler accent light** powered by one of a number of Xicato® 19mm XTM LED modules – including Artist Series and Vibrant Series modules – all of which are distinguished by extraordinary color consistency (within 1x 2-step MacAdam ellipse). See tables below for wattages and efficiencies.
- **Luminaire provides 0°-35° angular adjustment (tilt) and 50° rotation.** Once focused, adjustment can be locked in place by means of a wing nut. Conical external reflector design minimizes aperture brightness. Recess depth is 7 3/4".
- **Luminaire includes an internal reflector to produce a 20° spot, 40° flood or 60° wide flood beam spread.** To allow beam spread to be changed after installation, internal reflectors are also available as accessories.
- **Luminaire may be ordered with one of a number of drivers.**
- **Luminaire accepts one of a number of available [Optical Accessories](#) including lenses and color filters.** A complimentary Beam Smoother is included.
- **Reflectors are available in three clear natural aluminum finishes** — semi-specular (C), slightly diffuse (V) or fully diffuse (EC) — as well as champagne gold or black Alzak®. Other finishes available on special order.
- **Trim flange conceals edges of ceiling installation hole.** Standard finish is white; custom paint on special order.
- **For more information, [click here](#).**

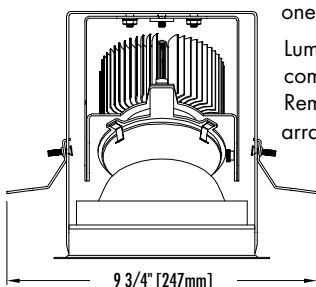


APPLICATIONS

Installation locations should offer the following conditions:

- ceiling material 2" or less thick capable of supporting 16 pounds
- recess depth of at least 7 3/4"
- plenum free of joists or obstructions for at least 8" from center along one side (to accommodate junction box).

Luminaire is listed for Damp Location, RoHA compliant and prewired with a thermal protector. Removal of the reflector allows access to the LED array, driver and junction box.



Flush trim model, see [PRESTINA FIVE LED AA](#)
Standard recessed, see [FIVE HI AA](#)

PRODUCT CODE

For complete product code, list basic unit and select one item from each following box.

Basic Unit	PST-XTM-5AA
Custom painted trim flange available on special order. Add -CC	
Beam Spread Reflector (specify one to ship with fixture)	
20° spot	- 20D
40° flood	- 40D
60° wide flood	- 60D
Light Source Output	
1000 lumens / CRI 98 Artist	- L10A
1300 lumens / CRI 98 Artist	- L13A
1300 lumens / CRI 80+	- L13S
1300 lumens / CRI 80+ Vibrant..... 3000K only	- L13V
1600 lumens / CRI 80+	- L16S
1600 lumens / CRI 80+ Vibrant..... 3000K only	- L16V
2100 lumens / CRI 98 Artist	- L21A
2100 lumens / CRI 80+	- L21S
2100 lumens / CRI 80+ Vibrant..... 3000K only	- L21V
2700 lumens / CRI 80+	- L27S
2700 lumens / CRI 80+ Vibrant..... 3000K only	- L27V

Driver	
dimmable to 1% by a 0-10V dimmer on 120 or 277-volt service	- DMV
dimmable to 5% by either an incandescent or ELV dimmer;	
120-volt service only	- DMP
eldoLED 0-10V (Logarithmic) driver dimmable to 0.1% with a	
0-10V dimmer on 120 or 277-volt service	- DVOELG
eldoLED 0-10V (Linear) driver dimmable to 0.1% with a	
0-10V dimmer on 120 or 277-volt service	- DVOELN
eldoLED driver dimmable to 0.1%, compatible with	
DALI control system	- DA0-EL

Light Color	
2700 K	- 27K
3000 K	- 30K
3500 K	- 35K
4000 K	- 40K

Voltage	
120 volt.....	- 120
277 volt.....	- 277

Reflector Color	
Semi-specular Clear	- CTF
Slightly diffuse Clear	- VTF
Fully diffuse Clear	- ECTF
Champagne Gold.....	- GTF
Black	- BTF
Other reflector finishes available on special order.	

EXTRA REFLECTORS Specify as separate line items.

20° internal reflector	XTM-REF20-72
40° internal reflector	XTM-REF40-72
60° internal reflector	XTM-REF60-70

OPTICAL ACCESSORIES ▼ See next page



OPTICAL ACCESSORIES *Specify as separate line*

All are 3 3/4" (95mm) diameter.

prismatic lens (Solite)	PLS/3.75
55° spread lens	LENS/3.75
40° x 70° spread lens	LENS/3.75-4070
beam smoother	DIF05/3.75
33% light reduction screen	SCR33/3.75
50% light reduction screen	SCR50/3.75

color filters

surprise pink	PNK/3.75
daylight blue.....	DAY/3.75
amber	AMB/3.75
blue	BLU/3.75
green	GRN/3.75
red	RED/3.75

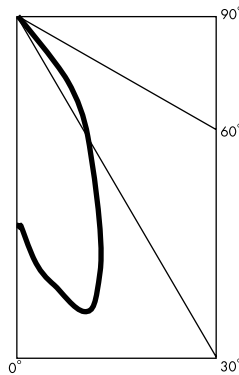
PHOTOMETRIC REPORT (tested per IESNA LM-79-2008)

Data prorated from **(LTL)** Report No. 192258. Original Luminaire Testing Laboratories, Inc. (LTL) test reports furnished upon request.

Luminaire recessed LED round accent light remodeler with semi-specular clear aluminum reflector, LED aimed at 15° above vertical
 Lamp Xicato 19mm XTM LED with 40° beam spread integral reflector, 3000K CCT, 3000 lumens
 Lamp Life rated 50,000 hours based on L70/B50 criteria. LM80 report by LED manufacturer furnished upon request

CANDLEPOWER DISTRIBUTION (Candela)

Vertical Angle	Horizontal Angle				
	0	22.5	45	67.5	90
0	4267	4267	4267	4267	4267
5	5332	5268	4930	4504	4142
15	6207	5566	4341	3292	2762
25	3936	3408	2726	2116	1158
35	2093	1661	921	302	48
45	397	252	69	13	3
55	20	6	3	2	2
65	0	0	0	1	0
75	0	0	0	0	0
85	0	0	0	0	0
90	0	0	0	0	0



REFLECTOR COLOR MULTIPLIERS

Semi-specular clear (C)	1
Slightly diffuse clear (V)	.95
Fully diffuse clear (EC)	.88
Champagne gold clear (G)	.95
Black (B)	.49

LUMINAIRE LIGHT OUTPUT AND EFFICACY

(40° beam spread integral reflector)

LED Light Engine	Luminaire Light Output	Luminaire Efficacy (lms/watt)	System Wattage
1000 Lumens Artist	793*	46*	17
1300 Lumens Artist	1055*	49*	22
2100 Lumens Artist	1720*	58*	30
1300 Lumens standard & Vibrant	1068*	64*	17
1600 Lumens standard & Vibrant	1302*	69*	19
2100 Lumens standard & Vibrant	1688*	67*	25
2700 Lumens standard & Vibrant	2100*	75*	28

*estimated values

LIGHT OUTPUT MULTIPLIER

LED Light Engine	Light Output Multiplier
1000 Lumens Artist	.34*
1300 Lumens Artist	.45*
2100 Lumens Artist	.74*
1300 Lumens standard & Vibrant	.46*
1600 Lumens standard & Vibrant	.56*
2100 Lumens standard & Vibrant	.72*
2700 Lumens standard & Vibrant	.90*

*estimated values

STANDARD (0-10V DIMMING) DRIVER INFORMATION *UL Class 2, dry and damp location*

Voltage	120	277
Input Watts (L10A/L13A/L13S&V/L16S&V/L21S&V/L27S&V lumens)	17/22/30/17/19/25/28	17/22/30/17/19/25/28
Input Current (A) (L10A/L13A/L13S&V/L16S&V/L21S&V/L27S&V lumens)	.14/.18/.25/.14/.16/.21/.23	.06/.08/.11/.06/.07/.09/.10
Output Current (mA)	500-1100	500-1100
Min. Power Factor	>0.9	>0.9
Operating Temperature Range (F)	-4 to 122	-4 to 122