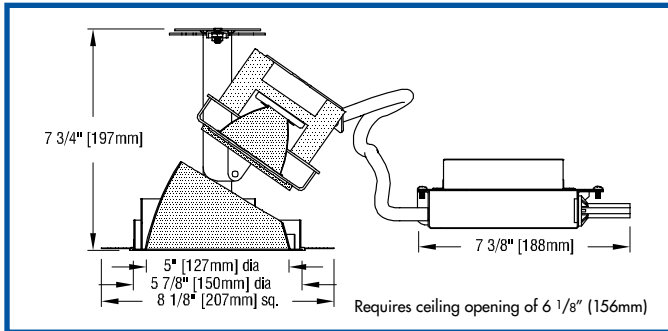


PRESTINA™ FIVE HI AA

recessed LED accent light trim flush remodeler

PRECISE OPTICS - PRECISE OPTICS - PRECISE OPTICS - PRECISE OPTICS - PRECISE OPTICS - PRECISE OPTICS - PRECISE OPTICS



FEATURES

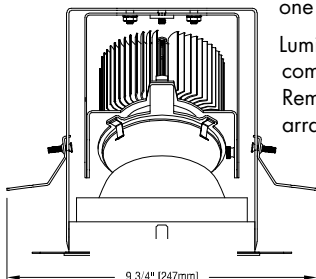
- **Prestina FIVE HI AA is a 5" aperture remodeler accent light** designed for installation from below in a sheetrock ceiling to achieve a flush reflector trim detail. Installation includes the application of drywall compound over the integral spackle screen to the rim of the integral plaster ring.
- **Luminaire is powered by one of a number of Xicato® 19mm XTM LED modules** – including Artist Series and Vibrant Series modules – all of which are distinguished by extraordinary color consistency (within 1x 2-step MacAdam ellipse). See tables below for wattages and efficiencies.
- **Luminaire provides 0°-35° angular adjustment (tilt) and 50° rotation.** Once focused, adjustment can be locked in place by means of a wing nut. Conical external reflector design minimizes aperture brightness. Recess depth is 7 3/4".
- **Luminaire includes an internal reflector to produce a 20° spot, 40° flood or 60° wide flood beam spread.** To allow beam spread to be changed after installation, internal reflectors are also available as accessories.
- **Luminaire may be ordered with one of a number of drivers.**
- **Luminaire accepts one of a number of available [Optical Accessories](#) including lenses and color filters.** A complimentary Beam Smoother is included.
- **Reflectors are available in three clear natural aluminum finishes** — semi-specular (C), slightly diffuse (V) or fully diffuse (EC) — as well as champagne gold or black Alzak®. Other finishes available on special order.
- **For more information, [click here](#).**




APPLICATIONS

Installation locations should offer the following conditions:

- ceiling material 2" or less thick capable of supporting 16 pounds
- recess depth of at least 7 3/4"
- plenum free of joists or obstructions for at least 8" from center along one side (to accommodate junction box).



Luminaire is  listed for Damp Location, RoHS compliant and prewired with a thermal protector. Removal of the reflector allows access to the LED array, driver and junction box.

Overlap trim model, see [PRESTO FIVE LED AA](#)
Standard recessed, see [FIVE HI AA](#)

PRODUCT CODE

For complete product code, list basic unit and select one item from each following box.

Basic Unit PST-XTM-5AA-TFR

Beam Spread Reflector (specify one to ship with fixture)

20° spot - 20D
40° flood - 40D
60° wide flood - 60D

Light Source Output

1000 lumens / CRI 98 Artist - L10A
1300 lumens / CRI 98 Artist - L13A
1300 lumens / CRI 80+ - L13S
1300 lumens / CRI 80+ Vibrant 3000K only - L13V
1600 lumens / CRI 80+ - L16S
1600 lumens / CRI 80+ Vibrant 3000K only - L16V
2100 lumens / CRI 98 Artist - L21A
2100 lumens / CRI 80+ - L21S
2100 lumens / CRI 80+ Vibrant 3000K only - L21V
2700 lumens / CRI 80+ - L27S
2700 lumens / CRI 80+ Vibrant 3000K only - L27V

Driver

dimable to 1% by a 0-10V dimmer on 120 or 277-volt service - DMV
dimable to 5% by either an incandescent or ELV dimmer;
120-volt service only - DMP
eLdoLED 0-10V (Logarithmic) driver dimmable to 0.1% with a
0-10V dimmer on 120 or 277-volt service - DV0ELG
eLdoLED 0-10V (Linear) driver dimmable to 0.1% with a
0-10V dimmer on 120 or 277-volt service - DV0ELN
eLdoLED driver dimmable to 0.1%, compatible with
DALI control system - DA0-EL

Light Color

2700 K - 27K
3000 K - 30K
3500 K - 35K
4000 K - 40K

Voltage

120 volt - 120
277 volt - 277

Reflector Color

Semi-specular Clear CTF
Slightly diffuse Clear VTF
Fully diffuse Clear ECTF
Champagne Gold GTF
Black BTF
Other reflector finishes available on special order.

EXTRA REFLECTORS

Specify as separate line items.

20° internal reflector XTM-REF20-72
40° internal reflector XTM-REF40-72
60° internal reflector XTM-REF60-70

OPTICAL ACCESSORIES

▼ See next page



OPTICAL ACCESSORIES *Specify as separate line*

All are 3 3/4" (95mm) diameter.

prismatic lens (Solite)	PLS/3.75
55° spread lens	LENS/3.75
40° x 70° spread lens	LENS/3.75-4070
beam smoother	DIF05/3.75
33% light reduction screen	SCR33/3.75
50% light reduction screen	SCR50/3.75

color filters

surprise pink	PNK/3.75
daylight blue	DAY/3.75
amber	AMB/3.75
blue	BLU/3.75
green	GRN/3.75
red	RED/3.75

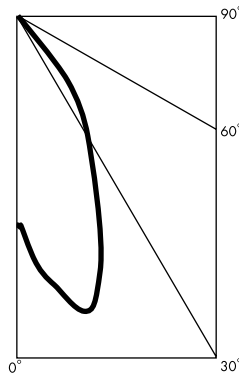
PHOTOMETRIC REPORT (tested per IESNA LM-79-2008)

Data prorated from Report No. 192258. Original Luminaire Testing Laboratories, Inc. (LTL) test reports furnished upon request.

Luminaire recessed LED round accent light remodeler with semi-specular clear aluminum reflector, LED aimed at 15° above vertical
 Lamp Xicato 19mm XTM LED with 40° beam spread integral reflector, 3000K CCT, 3000 lumens
 Lamp Life rated 50,000 hours based on L70/B50 criteria. LM80 report by LED manufacturer furnished upon request

CANDLEPOWER DISTRIBUTION (Candela)

Vertical Angle	Horizontal Angle				
	0	22.5	45	67.5	90
0	4267	4267	4267	4267	4267
5	5332	5268	4930	4504	4142
15	6207	5566	4341	3292	2762
25	3936	3408	2726	2116	1158
35	2093	1661	921	302	48
45	397	252	69	13	3
55	20	6	3	2	2
65	0	0	0	1	0
75	0	0	0	0	0
85	0	0	0	0	0
90	0	0	0	0	0



REFLECTOR COLOR MULTIPLIERS

Semi-specular clear (C)	1
Slightly diffuse clear (V)	.95
Fully diffuse clear (EC)	.88
Champagne gold clear (G)	.95
Black (B)	.49

LUMINAIRE LIGHT OUTPUT AND EFFICACY

(40° beam spread integral reflector)

LED Light Engine	Luminaire Light Output	Luminaire Efficacy (lms/watt)	System Wattage
1000 Lumens Artist	793*	46*	17
1300 Lumens Artist	1055*	49*	22
2100 Lumens Artist	1720*	58*	30
1300 Lumens standard & Vibrant	1068*	64*	17
1600 Lumens standard & Vibrant	1302*	69*	19
2100 Lumens standard & Vibrant	1688*	67*	25
2700 Lumens standard & Vibrant	2100*	75*	28

*estimated values

LIGHT OUTPUT MULTIPLIER

LED Light Engine	Light Output Multiplier
1000 Lumens Artist	.34*
1300 Lumens Artist	.45*
2100 Lumens Artist	.74*
1300 Lumens standard & Vibrant	.46*
1600 Lumens standard & Vibrant	.56*
2100 Lumens standard & Vibrant	.72*
2700 Lumens standard & Vibrant	.90*

*estimated values

STANDARD (0-10V DIMMING) DRIVER INFORMATION *UL Class 2, dry and damp location*

Voltage	120	277
Input Watts (L10A/L13A/L13S&V/L16S&V/L21S&V/L27S&V lumens)	17/22/30/17/19/25/28	17/22/30/17/19/25/28
Input Current (A) (L10A/L13A/L13S&V/L16S&V/L21S&V/L27S&V lumens)	.14/.18/.25/.14/.16/.21/.23	.06/.08/.11/.06/.07/.09/.10
Output Current (mA)	500-1100	500-1100
Min. Power Factor	>0.9	>0.9
Operating Temperature Range (F)	-4 to 122	-4 to 122