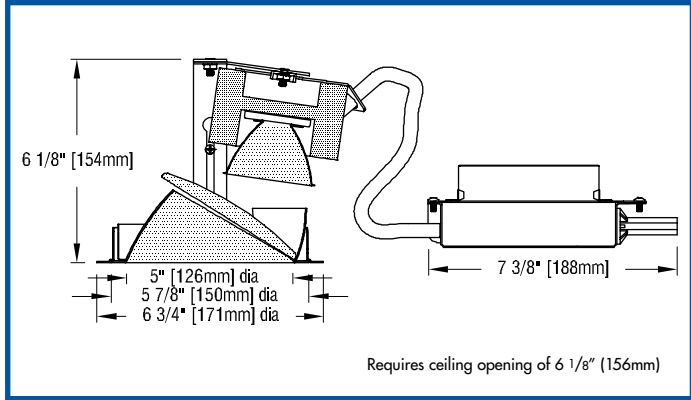


PRESTO™ FIVE HI WL

recessed LED wallwasher remodeler

PRECISE OPTICS - PRECISE OPTICS - PRECISE OPTICS - PRECISE OPTICS - PRECISE OPTICS - PRECISE OPTICS - PRECISE OPTICS



PRODUCT CODE

For complete product code, list basic unit and select one item from each following box.

Basic Unit PST-XTM-5WL
 Custom painted trim flange available on special order. Add -CC

Light Source Output

1000 lumens / CRI 98 Artist	L10A
1300 lumens / CRI 98 Artist	L13A
1300 lumens / CRI 80+	L13S
1300 lumens / CRI 80+ Vibrant..... 3000K only	L13V
1600 lumens / CRI 80+	L16S
1600 lumens / CRI 80+ Vibrant..... 3000K only	L16V
2100 lumens / CRI 98 Artist	L21A
2100 lumens / CRI 80+	L21S
2100 lumens / CRI 80+ Vibrant..... 3000K only	L21V
2700 lumens / CRI 80+	L27S
2700 lumens / CRI 80+ Vibrant..... 3000K only	L27V

FEATURES

- **Presto FIVE HI WL is a 5" aperture, remodeler wallwasher** powered by one of a number of Xicato® 19mm XTM LED modules – including Artist Series and Vibrant Series modules – all of which are distinguished by extraordinary color consistency (within 1x2-step MacAdam ellipse). See tables on the reverse for wattages and efficiencies.
- **Luminaire optical assembly includes two internal reflectors, a 40° x 70° spread lens and an external reflector.** Precise reflector design provides uniform illumination on vertical surfaces up to the ceiling line and minimizes aperture brightness. Recess depth is 6 1/8".
- **Luminaire may be ordered with one of a number of drivers.**
- **Reflectors are available in three clear natural aluminum finishes** —semi-specular (C), slightly diffuse (V) or fully diffuse (EC) — as well as champagne gold or black Alzak®. Other finishes available on special order.
- **Trim flange conceals edges of ceiling installation hole.** Standard finish is white; custom paint finish available on special order.
- **For more information, [click here.](#)**



Driver

dimble to 1% by a 0-10V dimmer on 120 or 277-volt service - DMV
 dimmable to 5% by either an incandescent or ELV dimmer;
 120-volt service only - DMP
 eldoLED 0-10V (Logarithmic) driver dimmable to 0.1% with a
 0-10V dimmer on 120 or 277-volt service - DVOELG
 eldoLED 0-10V (Linear) driver dimmable to 0.1% with a
 0-10V dimmer on 120 or 277-volt service - DVOELN
 eldoLED driver dimmable to 0.1%, compatible with
 DALI control system - DA0-EL

Light Color

2700 K	- 27K
3000 K	- 30K
3500 K	- 35K
4000 K	- 40K

Voltage

120 volt.....	- 120
277 volt.....	- 277

Reflector Color

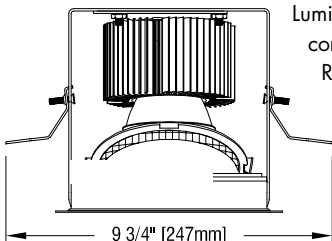
Semi-specular Clear	CTF
Slightly diffuse Clear	VTF
Fully diffuse Clear	ECTF
Champagne Gold.....	GTF
Black	BTF

Other reflector finishes available on special order.

APPLICATIONS

Installation locations should offer the following conditions:

- ceiling material 2" or less thick capable of supporting 16 pounds
- recess depth of at least 6 1/8"
- plenum free of joists or obstructions for at least 8" from center along one side (to accommodate junction box).



Luminaire is listed for Damp Location, RoHA compliant and prewired with a thermal protector. Removal of the reflector allows access to the LED array, driver and junction box.

Flush trim model, see [PRESTINA FIVE LED WL](#)
 Standard recessed, see [FIVE HI WL](#)

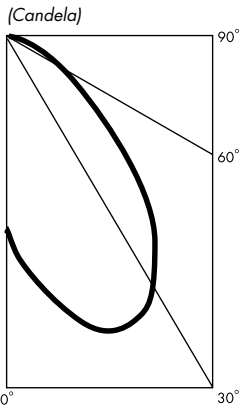


PHOTOMETRIC REPORT (tested per IESNA LM-79-2008)

(LTL) Report No. 226115. Original Luminaire Testing Laboratories, Inc. (LTL) test reports furnished upon request.

Luminaire recessed LED round lensed wallwasher remodeler with semi-specular clear aluminum reflector
 Lamp Xicato 19mm XTM LED with 60° beam spread integral reflector, 3000K CCT, 3000 lumens
 Lamp Life rated 50,000 hours based on L70/B50 criteria. LM80 report by LED manufacturer furnished upon request

CANDLEPOWER DISTRIBUTION



WALLWASH INFORMATION

Distance From Ceiling (Feet)	3' From Wall; 3' O.C.		3' 6" From Wall; 3' 6" O.C.		4' From Wall; 3' 6" O.C.	
	Below Fixture	Between Fixtures	Below Fixture	Between Fixtures	Below Fixture	Between Fixtures
1	19	16	12	10	9	9
2	32	24	20	16	15	13
3	40	36	28	24	22	19
4	39	37	30	28	25	24
5	33	32	27	26	25	24
6	26	26	24	23	23	23
7	21	21	19	19	20	20
8	17	17	16	16	17	17
9	14	14	13	13	14	14
10	11	11	11	11	12	12
11			9	9	10	10
12					9	9

All vertical footcandles are initial values with no contribution from ceiling or floor reflectances. Computation performed with a total of ten wallwashers.

LUMINAIRE LIGHT OUTPUT AND EFFICACY

(40° beam spread integral reflector)

LED Light Engine	Luminaire Light Output	Luminaire Efficacy (lms/watt)	System Wattage
1000 Lumens Artist	456*	26*	17
1300 Lumens Artist	607*	28*	22
2100 Lumens Artist	990*	34*	30
1300 Lumens standard & Vibrant	615*	37*	17
1600 Lumens standard & Vibrant	750*	39*	19
2100 Lumens standard & Vibrant	972*	38*	25
2700 Lumens standard & Vibrant	1215*	43*	28

*estimated values

LIGHT OUTPUT MULTIPLIER

LED Light Engine	Light Output Multiplier
1000 Lumens Artist	.34*
1300 Lumens Artist	.45*
2100 Lumens Artist	.74*
1300 Lumens standard & Vibrant	.46*
1600 Lumens standard & Vibrant	.56*
2100 Lumens standard & Vibrant	.72*
2700 Lumens standard & Vibrant	.90*

*estimated values

STANDARD (0-10V DIMMING) DRIVER INFORMATION UL Class 2, dry and damp location

Voltage	120	277
Input Watts (L10A/L13A/L13S&V/L16S&V/L21S&V/L27S&V lumens)	17/22/30/17/19/25/28	17/22/30/17/19/25/28
Input Current (A) (L10A/L13A/L13S&V/L16S&V/L21S&V/L27S&V lumens)	.14/.18/.25/.14/.16/.21/.23	.06/.08/.11/.06/.07/.09/.10
Output Current (mA)	500-1100	500-1100
Min. Power Factor	>0.9	>0.9
Operating Temperature Range (F)	-4 to 122	-4 to 122

REFLECTOR COLOR MULTIPLIERS

Semi-specular clear (C)	1
Slightly diffuse clear (V)	.95
Fully diffuse clear (EC)	.88
Champagne gold clear (G)	.95
Black (B)	.49