

Project

Type



MADE IN USA

[Click Here](#)

Date

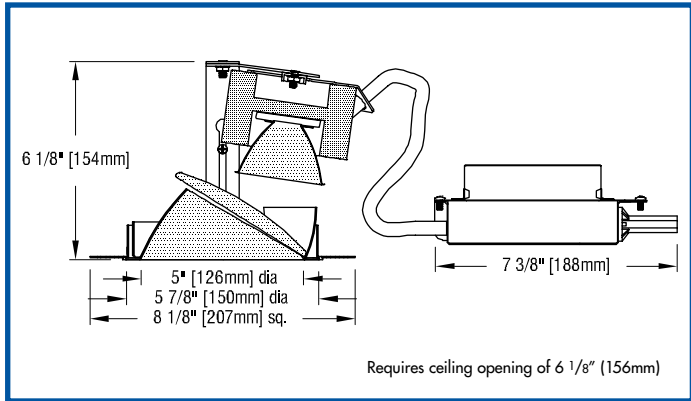
Product Code

Designer

PRESTINA™ FIVE HI WL

recessed LED wallwasher trim flush remodeler

PRECISE OPTICS - PRECISE OPTICS - PRECISE OPTICS - PRECISE OPTICS - PRECISE OPTICS - PRECISE OPTICS - PRECISE OPTICS



PRODUCT CODE

For complete product code, list basic unit and select one item from each following box.

Basic Unit PST-XTM-5WL-TFR

Light Source Output

1000 lumens / CRI 98 Artist	L10A
1300 lumens / CRI 98 Artist	L13A
1300 lumens / CRI 80+	L13S
1300 lumens / CRI 80+ Vibrant..... 3000K only	L13V
1600 lumens / CRI 80+	L16S
1600 lumens / CRI 80+ Vibrant..... 3000K only	L16V
2100 lumens / CRI 98 Artist	L21A
2100 lumens / CRI 80+	L21S
2100 lumens / CRI 80+ Vibrant..... 3000K only	L21V
2700 lumens / CRI 80+	L27S
2700 lumens / CRI 80+ Vibrant..... 3000K only	L27V

Driver

dimble to 1% by a 0-10V dimmer on 120 or 277-volt service	DMV
dimmable to 5% by either an incandescent or ELV dimmer; 120-volt service only	DMP
eldoLED 0-10V (Logarithmic) driver dimmable to 0.1% with a 0-10V dimmer on 120 or 277-volt service	DV0ELG
eldoLED 0-10V (Linear) driver dimmable to 0.1% with a 0-10V dimmer on 120 or 277-volt service	DV0ELN
eldoLED driver dimmable to 0.1%, compatible with DALI control system	DA0-EL

Light Color

2700 K	27K
3000 K	30K
3500 K	35K
4000 K	40K

Voltage

120 volt.....	120
277 volt.....	277

Reflector Color

Semi-specular Clear	CTF
Slightly diffuse Clear	VTF
Fully diffuse Clear	ECTF
Champagne Gold.....	GTF
Black	BTF

Other reflector finishes available on special order.

FEATURES

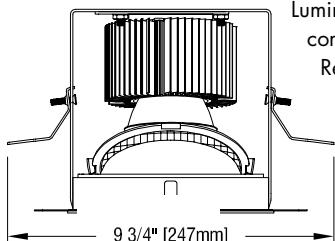
- Prestina FIVE HI WL is a 5" aperture remodeler wallwasher designed for installation from below in a sheetrock ceiling to achieve a flush reflector trim detail. Installation includes the application of drywall compound over the integral spackle screen to the rim of the integral plaster ring.
- Luminaire is powered by one of a number of Xicato® 19mm XTM LED modules – including Artist Series and Vibrant Series modules – all of which are distinguished by extraordinary color consistency (within 1 x 2-step MacAdam ellipse). See tables on the reverse for wattages and efficiencies.
- Luminaire optical assembly includes two internal reflectors, a 40° x 70° spread lens and an external reflector. Precise reflector design provides uniform illumination on vertical surfaces up to the ceiling line and minimizes aperture brightness. Recess depth is 6 1/8".
- Luminaire may be ordered with one of a number of drivers.
- Reflectors are available in three clear natural aluminum finishes —semi-specular (C), slightly diffuse (V) or fully diffuse (EC) —as well as champagne gold or black Alzak®. Other finishes available on special order.
- For more information, [click here](#).



APPLICATIONS

Installation locations should offer the following conditions:

- ceiling material 2" or less thick capable of supporting 16 pounds
- recess depth of at least 6 1/8"
- plenum free of joists or obstructions for at least 8" from center along one side (to accommodate junction box).



Luminaire is listed for Damp Location, RoHA compliant and prewired with a thermal protector. Removal of the reflector allows access to the LED array, driver and junction box.

Overlap trim model, see [PRESTO FIVE LED WL](#)
Standard recessed, see [FIVE HI WL](#)

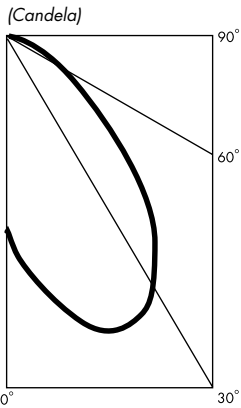


PHOTOMETRIC REPORT (tested per IESNA LM-79-2008)

(LTL) Report No. 226115. Original Luminaire Testing Laboratories, Inc. (LTL) test reports furnished upon request.

Luminaire recessed LED round lensed wallwasher remodeler with semi-specular clear aluminum reflector
 Lamp Xicato 19mm XTM LED with 60° beam spread integral reflector, 3000K CCT, 3000 lumens
 Lamp Life rated 50,000 hours based on L70/B50 criteria. LM80 report by LED manufacturer furnished upon request

CANDLEPOWER DISTRIBUTION



WALLWASH INFORMATION

Distance From Ceiling (Feet)	3' From Wall; 3' O.C.		3' 6" From Wall; 3' 6" O.C.		4' From Wall; 3' 6" O.C.	
	Below Fixture	Between Fixtures	Below Fixture	Between Fixtures	Below Fixture	Between Fixtures
1	19	16	12	10	9	9
2	32	24	20	16	15	13
3	40	36	28	24	22	19
4	39	37	30	28	25	24
5	33	32	27	26	25	24
6	26	26	24	23	23	23
7	21	21	19	19	20	20
8	17	17	16	16	17	17
9	14	14	13	13	14	14
10	11	11	11	11	12	12
11			9	9	10	10
12					9	9

All vertical footcandles are initial values with no contribution from ceiling or floor reflectances. Computation performed with a total of ten wallwashers.

LUMINAIRE LIGHT OUTPUT AND EFFICACY

(40° beam spread integral reflector)

LED Light Engine	Luminaire Light Output	Luminaire Efficacy (lms/watt)	System Wattage
1000 Lumens Artist	456*	26*	17
1300 Lumens Artist	607*	28*	22
2100 Lumens Artist	990*	34*	30
1300 Lumens standard & Vibrant	615*	37*	17
1600 Lumens standard & Vibrant	750*	39*	19
2100 Lumens standard & Vibrant	972*	38*	25
2700 Lumens standard & Vibrant	1215*	43*	28

*estimated values

LIGHT OUTPUT MULTIPLIER

LED Light Engine	Light Output Multiplier
1000 Lumens Artist	.34*
1300 Lumens Artist	.45*
2100 Lumens Artist	.74*
1300 Lumens standard & Vibrant	.46*
1600 Lumens standard & Vibrant	.56*
2100 Lumens standard & Vibrant	.72*
2700 Lumens standard & Vibrant	.90*

*estimated values

STANDARD (0-10V DIMMING) DRIVER INFORMATION UL Class 2, dry and damp location

Voltage	120	277
Input Watts (L10A/L13A/L13S&V/L16S&V/L21S&V/L27S&V lumens)	17/22/30/17/19/25/28	17/22/30/17/19/25/28
Input Current (A) (L10A/L13A/L13S&V/L16S&V/L21S&V/L27S&V lumens)	.14/.18/.25/.14/.16/.21/.23	.06/.08/.11/.06/.07/.09/.10
Output Current (mA)	500-1100	500-1100
Min. Power Factor	>0.9	>0.9
Operating Temperature Range (F)	-4 to 122	-4 to 122

REFLECTOR COLOR MULTIPLIERS

Semi-specular clear (C)	1
Slightly diffuse clear (V)	.95
Fully diffuse clear (EC)	.88
Champagne gold clear (G)	.95
Black (B)	.49