

Project

Type



MADE IN USA

[Click Here](#)

Date

Product Code

Designer

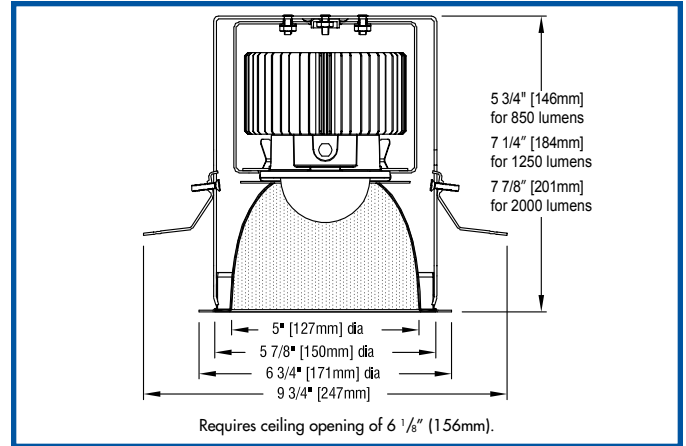
PRESTO APLUS WHITELIGHT/5

recessed LED downlight/wallwasher remodeler

DOWNLIGHT - WALLWASHER - DOUBLE WALLWASHER - CORNER WALLWASHER

FEATURES

- Presto APlus WhiteLight/5 an efficient 5" aperture LED downlight/wallwasher remodeler designed for installation from below in an existing ceiling. Fixture is powered by one of a number of Cree WhiteLight 90+CRI LED light engines. See tables on following pages for wattages and efficacies.
- Fixture varies in depth from 5 3/4" to 7 7/8" and provides a shielding angle of 40°. Precise reflector design minimizes aperture brightness.
- One basic housing allows interchangeable use of the downlight and wallwash reflectors. This permits housings to be installed first and reflectors installed or changed at any time.
- **Reflector**s are available in two clear natural aluminum finishes — slightly diffuse (V) or fully diffuse (EC) — as well as champagne gold Alzak®, black and white. Other reflector finishes are available on special order. Wallwash reflectors available are: wallwash (120°), corner wallwash (210°), and double wallwash (2x120°).
- **Fixture flange conceals edges of ceiling installation hole.** Standard finish is white; custom paint finish available on special order.
- For more information, [click here](#).



PRODUCT CODE

For complete product code, list basic unit and select one item from each following box.

Basic Unit PST-AP-5-CLW

Light Source Output (lumens)

850L/CRI 90+ all light colors DMP (5%) - L08
 1250L/CRI 90+ all light colors DMP (5%) - L12
 2000L/CRI 90+ all light colors DMV (10%) - L20

LED Light Engine Color

2700K - 27K
 3000K - 30K
 3500K - 35K
 4000K - 40K

Driver

dimmable to 5% (see Light Output box above) with either incandescent or ELV dimmer on 120-volt service only - DMP
 dimmable to 10% (see Light Output box above) with 0-10V dimmer on 120-volt or 277-volt service - DMV

Voltage

120 volt service - 120
 277 volt service - 277

Reflector Type

Downlight no suffix
 Wallwash WW
 Corner Wallwash CWW
 Double Wallwash DWW

Reflector Color and Detail

Slightly diffuse Clear VTF
 Fully diffuse Clear ECTF
 Champagne Gold GTF
 Other reflector finishes are available on special order.

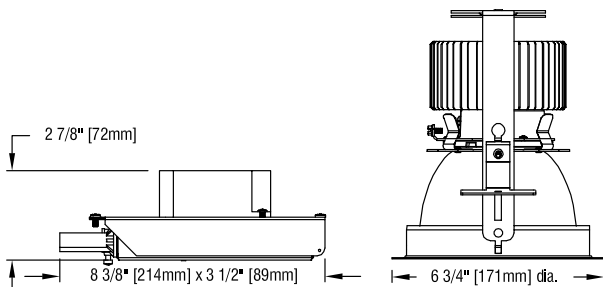
APPLICATIONS

Fixture is recommended for downlighting or downlight/wallwashing in spaces where fixtures are to be installed from below into an existing ceiling.

Installation locations should offer the following conditions:

- ceiling material capable of supporting 18 pounds
- total recess depth of fixture depth plus 1/2"
- plenum free of joists or obstructions for as much as 13" to one side to accommodate junction box.

Fixture is suitable for 120-volt or 277-volt service, listed for Damp Location, RoHA compliant and prewired with a thermal protector. Removal of the reflector allows access to the junction box and driver.



Flush trim model, see [PRESTINA APLUS WHITELIGHT/5](#)

Standard recessed, see [APLUS WHITELIGHT/5](#)

For retrofit LED lamp, see [PRESTO APLUS 19E/5](#)

IC-rated, see [EPIC APLUS WHITELIGHT/5](#)



41-50 22ND STREET, LIC NY 11101 TEL 718.685.0700 FAX 718.786.8530 www.epl.com

©Copyright, Edison Price Lighting 2019

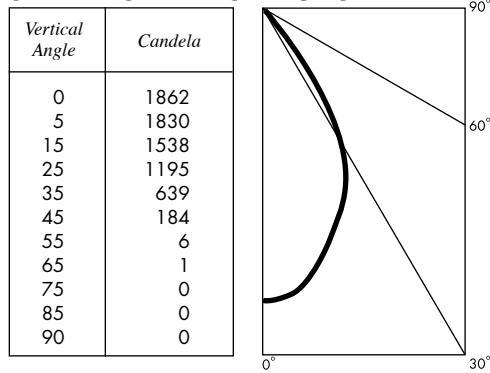
PR 07-080 9:19

PHOTOMETRIC REPORT (tested per IESNA LM-79-2008)

UL Verification Services Report No. 369315. Original report furnished upon request.

Luminaire recessed LED round downlight with aluminum reflector
 Lamp Cree LMH2 White Light LED, 2000 lumens, 3000K CCT, 90 CRI minimum
 Lamp Life rated 50,000 hours based on L70/B50 criteria. LM80 report by
 LED manufacturer furnished upon request
 Spacing Criteria 0.9
 Luminaire light output..... 1696 lumens

CANDLEPOWER DISTRIBUTION



STANDARD DRIVER (0-10V DIMMING) INFORMATION UL Class 2, dry and damp loca-

Voltage	120	277
Input Watts (850/1250/2000 lumens)	13/18/28	13/18/28
Input Current (A) (850/1250/2000 lumens)	.11/.15/.23	.05/.06/.10
Output Current (mA)	440/440/900	440/440/900
Min. Power Factor	>0.9	>0.9
Operating Temperature Range (F)	32 to 158	32 to 158

ZONAL LUMEN SUMMARY

Zone	Lumens	% Fixture
0 – 30°	1141	67.3
0 – 40°	1537	90.6
0 – 60°	1694	99.9
0 – 90°	1696	100.0
90 – 180°	0	0.0
0 – 180°	1631	100.0

LIGHT OUTPUT MULTIPLIERS

Based on 2000 lumens LED

LED Light Engine	Light Output Multiplier
850 Lumens	.43*
1250 Lumens	.63*
2000 Lumens	1

*estimated values

LUMINANCE DATA

Vertical Angle	Candela/m ²
45	20675
55	865
65	271
75	11
85	0

To convert cd/m² to footlamberts multiply by 0.2919.

COLOR MULTIPLIERS

Slightly diffuse clear (V)	1
Fully diffuse clear (EC)	.93
Champagne gold (G)	1
Black (B)	.45

LUMINAIRE LIGHT OUTPUT AND EFFICACY

LED Light Engine	Luminaire Light Output	Luminaire Efficacy (lms/watt)	System Wattage
850 Lumens	719*	55	13
1250 Lumens	1057*	59	18
2000 Lumens	1691	61	28

*estimated values

PHOTOMETRIC REPORT (tested per IESNA LM-79-2008)

Verification Services Report No. 369317. Original report furnished upon request.

Luminaire recessed LED round wallwasher with aluminum reflector
 Lamp Cree LMH2 White Light LED, 2000 lumens, 3000K CCT, 90 CRI minimum
 Lamp Life rated 50,000 hours based on L70/B50 criteria. LM80 report by LED
 manufacturer furnished upon request
 Luminaire light output..... 1642 lumens

LUMINAIRE LIGHT OUTPUT AND EFFICACY

LED Light Engine	Luminaire Light Output	Luminaire Efficacy (lms/watt)	System Wattage
850 Lumens	706*	54	13
1250 Lumens	1034*	57	18
2000 Lumens	1642	59	28

*estimated values

LIGHT OUTPUT MULTIPLIERS Based on 2000 lumens LED

LED Light Engine	Light Output Multiplier	RM Light Output Multiplier (90-minute run)
850 Lumens	.43*	.12*
1250 Lumens	.63*	.14*
2000 Lumens	1	.27*

*estimated values

WALLWASH INFORMATION Based on 2000 lumens LED

Distance From Ceiling (Feet)	2' 6" From Wall; 2' 6" O.C.		3' From Wall; 3' O.C.	
	Below Fixture	Between Fixtures	Below Fixture	Between Fixtures
1	11	10	6	6
2	20	19	13	12
3	22	21	15	14
4	24	24	16	16
5	23	23	17	17
6	20	20	16	16
7	17	17	15	15
8	15	15	13	13
9	12	12	11	11
10	11	11	10	10
11	9	9	9	9
12	8	8	8	8
13			7	7
14			6	6
15			5	5

All vertical footcandles are initial values with no contribution from ceiling or floor reflectances. Computation performed with a total of ten wallwashers.