

Project

Type



MADE IN USA

[Click Here](#)

Date Product Code

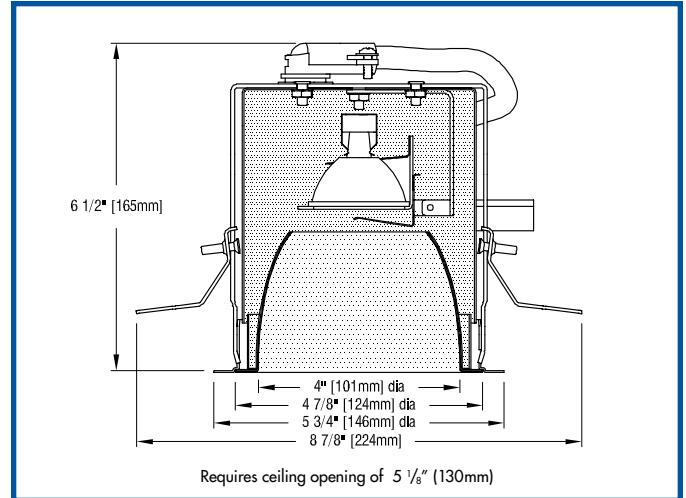
Designer

PRESTO™ MRE/4 DL

recessed MR16 LED downlight remodeler

FEATURES

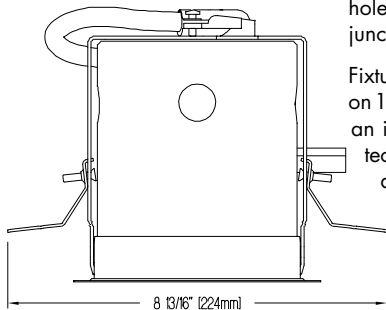
- Presto MRE/4 DL is a 4" aperture remodeler downlight designed for installation from below in an existing ceiling.
- Fixture is designed for use with a 12-volt, GU5.3 base, MR16-shaped retrofit lamp (by others) including:
 - Philips 6.6 watt 6.6MR16/LED
 - Philips 7.0 watt 7MR16/LED
 - Philips 6.5 watt WarmGlow 6.5MR16, dim-to-warm
 - Soraal 7.5 watt or 9.0 watt Brilliant or Vivid LED
 - Additional lamps may be suitable. Contact factory with inquiries.
- Reflector design minimizes aperture brightness with a shielding angle of 40°.
- If used with a Soraal 10° lamp, Soraal Snap System accessories may be applied to lamp (by others).
- Reflectors are available in three clear natural aluminum finishes — semi-specular (C), slightly diffuse (V) or fully diffuse (EC) — as well as champagne gold or black Alzak®. Other finishes available on special order. A LightPlate™ decorative trim (see next page) may be ordered instead of a standard reflector.
- Trim flange conceals edges of ceiling installation hole. Standard finish is white; custom paint finish available on special order.
- Housing is constructed from 20-gauge electro-zinc, polyester-coated steel in Edison Price Lighting's American factory.
- For more information, [click here](#).



APPLICATIONS

Installation locations should offer the following conditions:

- ceiling material 1 1/8" or less thick capable of supporting 14 pounds
- recess depth of at least 7"
- plenum free of joists or obstructions for at least 5 15/16" from center of hole along one side (to accommodate junction box).



Fixture is cULus listed for Damp Location on 120-volt service only. Fixture includes an integral electronic transformer protected by a thermal auto-reset switch and is prewired with a thermal protector. Removal of the reflector and housing allows access to the transformer and junction box.

LAMP (BY OTHERS) DIMMING INFO

Edison Price Lighting does not include lamps and does not sell either lamps or their accessories. For dimming compatibility consult the lamp manufacturer's website.

- Flush trim model, see [PRESTINA MRE/4 DL](#)
- Standard recessed, see [FOUR MRE/4 DL](#)
- Wet Location, see [WET LOCATION MRE/4 DL](#)

PRODUCT CODE

For complete product code, list basic unit and select one item from each following box.

Basic Unit PST-DL4(L)-MRE-4
 Custom painted trim flange available on special order. Add -CC

Reflector Color

Semi-specular Clear CTF

Slightly diffuse Clear VTF

Fully diffuse Clear ECTF

Champagne Gold GTF

Black BTF

Other reflector finishes available on special order.

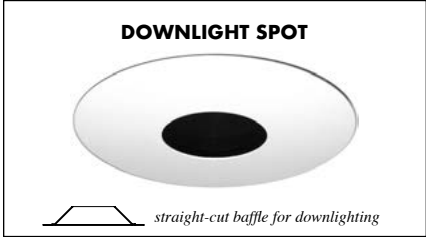
A LightPlate decorative trim (see below) may be ordered instead of the standard reflectors above.

LightPlate Downlight Spot, white DP-TF
 Custom painted LightPlate available on special order. Add -CC

LIGHTPLATES ▼ See next page



LIGHTPLATE *LightPlate may be used instead of standard reflectors.*



For current lamp performance data, consult lamp manufacturer’s website.