

Project

Type



MADE IN USA

[Click Here](#)

Date

Product Code

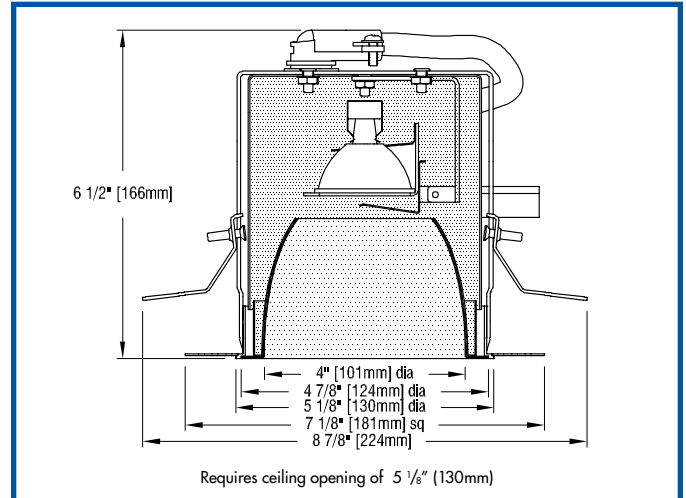
Designer

PRESTINA™ MRE/4 DL

recessed MR16 LED downlight trim flush remodeler

FEATURES

- **Prestina MRE/4 DL is a 4" aperture remodeler downlight** designed for installation from below in a sheet rock ceiling to achieve a flush reflector trim detail. Installation includes the application of drywall compound over the integral spackle screen to the rim of the integral plaster ring.
- **Fixture is designed for use with a 12-volt, GU5.3 base, MR16-shaped retrofit lamp (by others) including:**
 - Philips 6.6 watt 6.6MR16/LED
7.0 watt 7MR16/LED
 - Philips 6.5 watt WarmGlow
6.5MR16, dim-to-warm
 - Soraa 7.5 watt or 9.0 watt Brilliant
or Vivid LED
 - Additional lamps may be suitable. Contact factory with inquiries.
- **Reflector design minimizes aperture brightness** with a shielding angle of 40°.
- **If used with a Soraa 10" lamp**, Soraa Snap System accessories may be applied to lamp (by others)
- **Reflectors are available in three clear natural aluminum finishes** — semi-specular (C), slightly diffuse (V) or fully diffuse (EC) — as well as champagne gold or black Alzak®. Other finishes available on special order. A LightPlate™ decorative trim (see next page) may be ordered instead of a standard reflector.
- **Housing is constructed from 20-gauge electro-zinc, polyester-coated steel** in Edison Price Lighting's American factory.
- **For more information, [click here](#).**



PRODUCT CODE

For complete product code, list basic unit and select one item from each following box.

Basic Unit PST-DL(L)-MRE-4-TFR
 Custom painted trim flange available on special order. Add -CC

Reflector Color

Semi-specular Clear CTF
 Slightly diffuse Clear VTF
 Fully diffuse Clear ECTF
 Champagne Gold GTF
 Black BTF

Other reflector finishes available on special order.

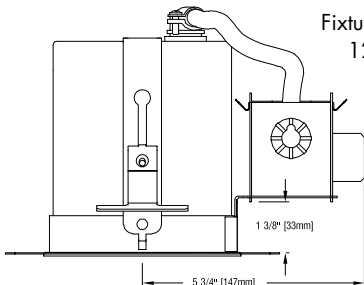
A LightPlate decorative trim (see below) may be ordered instead of the standard reflectors above.

LightPlate Downlight Spot, white DP-TF
 Custom painted LightPlate available on special order. Add -CC

APPLICATIONS

Installation locations should offer the following conditions:

- sheetrock ceiling capable of supporting 14 pounds
- recess depth of at least 6 1/2"
- plenum free of joists or obstructions for at least 5 15/16" from center of hole along one side to accommodate junction box.



Fixture is cUL^{us} listed for Damp Location on 120-volt service only. Fixture includes an integral electronic transformer protected by a thermal auto-reset switch and is prewired with a thermal protector. Removal of the reflector and housing allows access to the transformer and junction box.

- **Overlap trim model**, see [PRESTO MRE/4 DL](#)
- **Standard recessed**, see [FOUR MRE/4 DL](#)
- **Wet Location**, see [WET LOCATION MRE/4 DL](#)

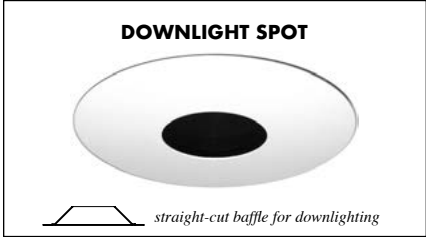
LIGHTPLATES ▼ See next page

LAMP (BY OTHERS) DIMMING INFO

Edison Price Lighting does not include lamps and does not sell either lamps or their accessories. For dimming compatibility consult the lamp manufacturer's website.



LIGHTPLATE *LightPlate may be used instead of standard reflectors.*



For current lamp performance data, consult lamp manufacturer's website.