

Project

Date Product Code

PRESTO™ MRE/4 AA

recessed MR16 LED accent light remodeler

Type

Designer

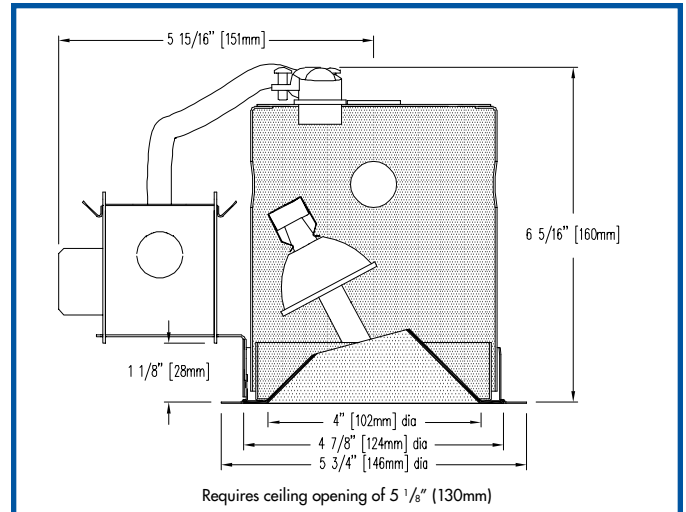


MADE IN USA

[Click Here](#)

FEATURES

- Presto MRE/4 AA is a 4" aperture remodeler downlight designed for installation from below in an existing ceiling.
- Fixture is designed for use with a 12-volt, GU5.3 base, MR16-shaped retrofit lamp (by others) including:
 - Philips 6.6 watt 6.6MR16/LED
 - Philips 7.0 watt 7MR16/LED
 - Philips 6.5 watt WarmGlow 6.5MR16, dim-to-warm
 - Soraa 7.5 watt or 9.0 watt Brilliant or Vivid LED
 - Additional lamps may be suitable. Contact factory with inquiries.
- Conical reflector, cut at 15°, minimizes aperture brightness. Fixture provides 358° rotation and 0–28° angular adjustment. Lamp is concentric with aperture at 0°, allowing fixture to be used as a downlight. Optional downlight reflector is also available.
- Fixture provides easy adjustment of tilt and rotation after lamping. Adjustment can be locked by means of two very accessible thumb screws.
- If used with a Soraa 10° lamp, Soraa Snap System accessories may be applied to lamp (by others).
- Reflectors are available in three clear natural aluminum finishes — semi-specular (C), slightly diffuse (V) or fully diffuse (EC) — as well as champagne gold or black Alzak®. Other finishes available on special order. LightPlate™ decorative trims (see next page) may be ordered instead of reflectors.
- Trim flange conceals edges of ceiling installation hole. Standard finish is white; custom paint finish available on special order.
- Housing is constructed from 20-gauge electro-zinc, polyester-coated steel in Edison Price Lighting's American factory.
- For more information, [click here](#).



PRODUCT CODE

For complete product code, list basic unit and select one item from each following box.

Basic Unit PST-ANGLUX-MRE
 Custom painted trim flange available on special order. Add -CC

Reflector Color

Semi-specular Clear CTF

Slightly diffuse Clear VTF

Fully diffuse Clear ECTF

Champagne Gold GTF

Black BTF

Other reflector finishes available on special order.

LightPlate decorative trims (see over) may be ordered instead of the standard reflectors above.

LightPlate Downlight Spot, white DP-TF

LightPlate Accent Spot, white AP-TF

LightPlate Accent Slot, white AL-TF

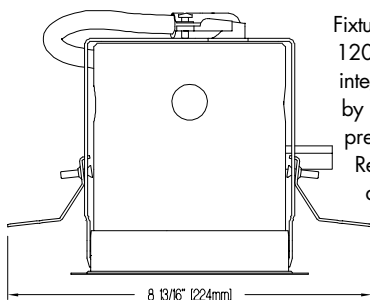
Custom painted LightPlates available on special order. Add -CC

LIGHTPLATES ▼ See next page

APPLICATIONS

Installation locations should offer the following conditions:

- ceiling material 1 1/8" or less thick capable of supporting 14 pounds
- recess depth of at least 6 13/16"
- plenum free of joists or obstructions for at least 5 15/16" from center of hole along one side (to accommodate junction box).

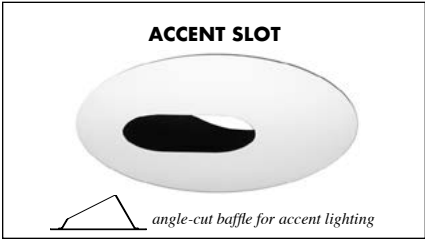
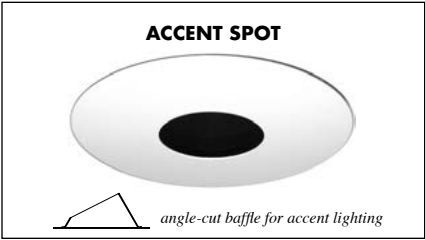
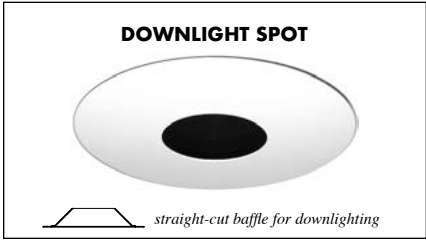


Fixture is listed for Damp Location on 120-volt service only. Fixture includes an integral electronic transformer protected by a thermal auto-reset switch and is prewired with a thermal protector. Removal of the reflector and housing allows access to the transformer and junction box.

- Flush trim model, see [PRESTINA MRE/4 AA](#)
- Standard recessed, see [FOUR MRE/4 AA](#)
- Wet Location, see [WET LOCATION MRE/4 AA](#)



LIGHTPLATES *LightPlates may be used instead of standard reflectors.*



For current lamp performance data, consult lamp manufacturer's website.