

Project

Type



MADE IN USA

[Click Here](#)

Date

Product Code

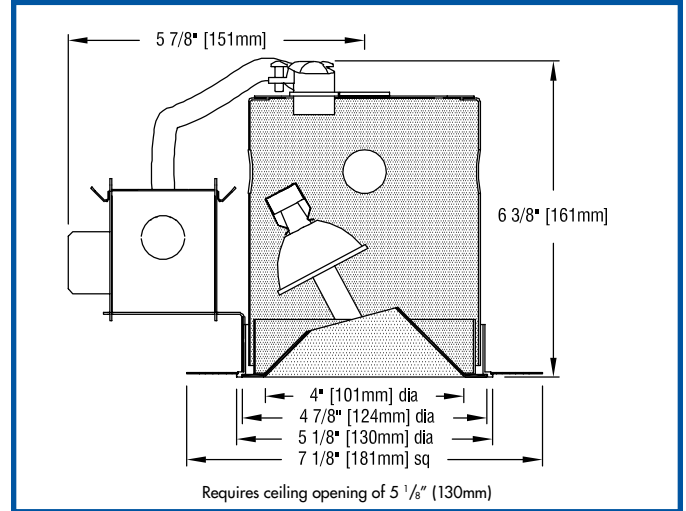
Designer

PRESTINA™ MRE/4 AA

recessed MR16 LED accent light trim flush remodeler

FEATURES

- **Prestina MRE/4 AA is a 4" aperture remodeler downlight** designed for installation from below in a sheet rock ceiling to achieve a flush reflector trim detail. Installation includes the application of drywall compound over the integral spackle screen to the rim of the integral plaster ring.
- **Fixture is designed for use with a 12-volt, GU5.3 base, MR16-shaped retrofit lamp (by others) including:**
 - Philips 6.6 watt 6.6MR16/LED 7.0 watt 7MR16/LED
 - Philips 6.5 watt WarmGlow 6.5MR16, dim-to-warm
 - Soraa 7.5 watt or 9.0 watt Brilliant or Vivid LED
 - Additional lamps may be suitable. Contact factory with inquiries.
- **Conical reflector, cut at 15°, minimizes aperture brightness.** Fixture provides 358° rotation and 0 – 28° angular adjustment. Lamp is concentric with aperture at 0°, allowing fixture to be used as a downlight. Optional downlight reflector is also available.
- **Fixture provides easy adjustment of tilt and rotation after lamping.** Adjustment can be locked by means of two very accessible thumb screws.
- **If used with a SORAA 10° lamp,** SORAA Snap System accessories may be applied to lamp (by others).
- **Reflectors** are available in three clear natural aluminum finishes — semi-specular (C), slightly diffuse (V) or fully diffuse (EC) — as well as champagne gold or black Alzak®. Other finishes available on special order. LightPlate™ decorative trims (see next page) may be ordered instead of reflectors.
- **Housing is constructed from 20-gauge electro-zinc, polyester-coated steel** in Edison Price Lighting's American factory.
- **For more information, [click here](#).**



PRODUCT CODE

For complete product code, list basic unit and select one item from each following box.

Basic Unit PST-ANGLUX-MRE-TFR

Custom painted trim flange available on special order. Add -CC

Reflector Color

Semi-specular ClearCTF

Slightly diffuse Clear VTF

Fully diffuse Clear ECTF

Champagne Gold GTF

Black BTF

Other reflector finishes available on special order.

LightPlate decorative trims (see below) may be ordered instead of the standard reflectors above.

LightPlate **Downlight Spot**, white DP-TF

LightPlate **Accent Spot**, white AP-TF

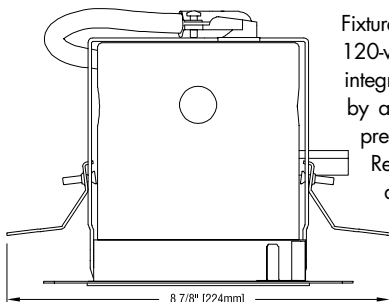
LightPlate **Accent Slot**, whiteAL-TF

Custom painted LightPlates available on special order. Add -CC

APPLICATIONS

Installation locations should offer the following conditions:

- sheetrock ceiling capable of supporting 14 pounds
- recess depth of at least 6 5/16"
- plenum free of joists or obstructions for at least 5 15/16" from center of hole along one side to accommodate junction box.



Fixture is listed for Damp Location on 120-volt service only. Fixture includes an integral electronic transformer protected by a thermal auto-reset switch and is prewired with a thermal protector. Removal of the reflector and housing allows access to the transformer and junction box.

- **Overlap trim model**, see [PRESTO MRE/4 AA](#)
- **Standard recessed**, see [FOUR MRE/4 AA](#)
- **Wet Location**, see [WET LOCATION MRE/4 AA](#)

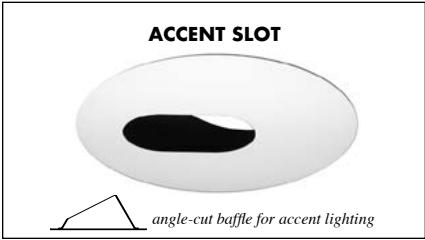
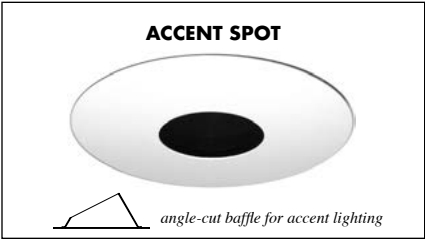
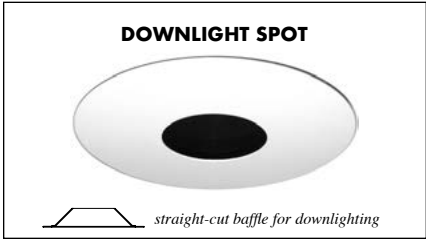
LIGHTPLATES ▼ See next page

LAMP (BY OTHERS) DIMMING INFO

Edison Price Lighting does not include lamps and does not sell either lamps or their accessories. For dimming compatibility consult the lamp manufacturer's website.



LIGHTPLATES *LightPlates may be used instead of standard reflectors.*



For current lamp performance data, consult lamp manufacturer's website.