

Project

Type



MADE IN USA

[Click Here](#)

Date

Product Code

Designer

# PRESTINA™ MRE/4 WL

recessed MR16 LED wallwasher trim flush remodeler

## FEATURES

- **Prestina MRE/4 WL is a 4" aperture remodeler wallwasher** designed for installation from below in a sheet rock ceiling to achieve a flush reflector trim detail. Installation includes the application of drywall compound over the integral spackle screen to the rim of the integral plaster ring.
- **Fixture is designed for use with a 12-volt, GU5.3 base, MR16-shaped retrofit lamp (by others) including:**
  - Philips 6.6 watt 6.6MR16/LED  
7.0 watt 7MR16/LED
  - Philips 6.5 watt WarmGlow  
6.5MR16, dim-to-warm
  - Soraa 7.5 watt or 9.0 watt Brilliant or Vivid LED
  - Additional lamps may be suitable. Contact factory with inquiries.

- **The optical assembly consists of a lamp holder, an internal reflector, a 40° x 70° glass spread lens and an external reflector.** Precise optical design provides uniform illumination on vertical surfaces up to the ceiling line and minimizes aperture brightness.



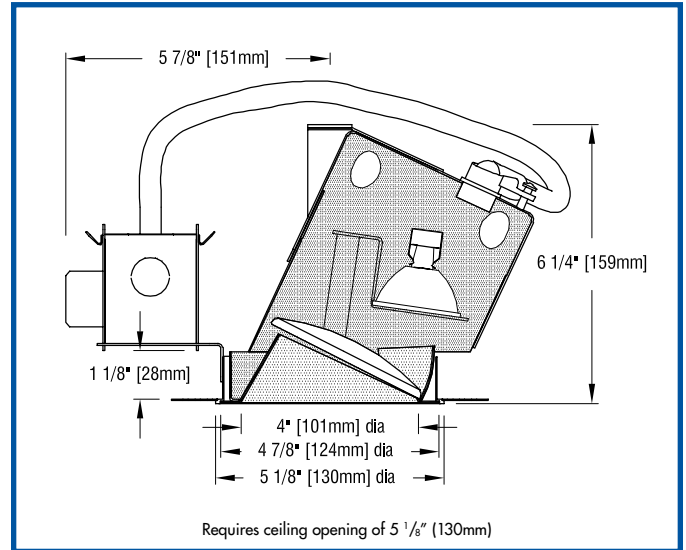
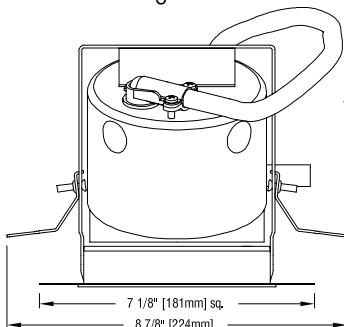
- **Reflectors are available in three clear natural aluminum finishes** —semi-specular (C), slightly diffuse (V) or fully diffuse (EC) — as well as champagne gold or black Alzak®. Other finishes available on special order.
- **Housing is constructed from 20-gauge electro-zinc, polyester-coated steel** in Edison Price Lighting's American factory.
- **For more information, [click here](#).**

## APPLICATIONS

Installation locations should offer the following conditions:

- sheetrock ceiling material capable of supporting 14 pounds
- recess depth of at least 6 1/4"
- plenum free of joists or obstructions for at least 5 15/16" from center of hole to accommodate junction box and angled housing.

Fixture is cULus listed for Damp Location on 120-volt service only. Fixture includes an integral electronic transformer protected by a thermal auto-reset switch and is prewired with a thermal protector. Removal of the reflector and housing allows access to the transformer and junction box.



## PRODUCT CODE

For complete product code, list basic unit and select one item from each following box.

Basic Unit ..... PST-DLWL-MRE-4-TFR  
 Custom painted trim flange available on special order. Add -CC

Reflector Color  
 Semi-specular Clear ..... CTF  
 Slightly diffuse Clear ..... VTF  
 Fully diffuse Clear ..... ECTF  
 Champagne Gold ..... GTF  
 Black ..... BTF  
 Other reflector finishes available on special order.

## LAMP (BY OTHERS) DIMMING INFO

Edison Price Lighting does not include lamps and does not sell either lamps or their accessories. For dimming compatibility consult the lamp manufacturer's website.

## INSTALLATION NOTE

Housing affords no internal rotation and, upon installation, should be 'aimed' at the wall to be illuminated. See Installation Instructions for detail.

- **Overlap trim model, see [PRESTO MRE/4 WL](#)**
- **Standard recessed, see [FOUR MRE/4 WL](#)**



For current lamp performance data, consult lamp manufacturer's website.