

Project

Type



MADE IN USA

[Click Here](#)

Date

Product Code

Designer

PRESTO™ THREE MRE DL

recessed MR16 LED downlight remodeler

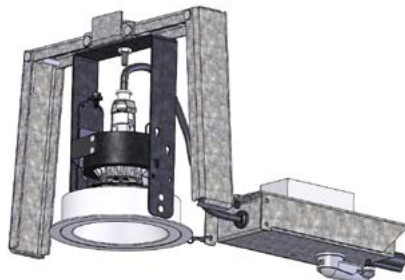
FEATURES

- Presto Three MRE DL is a 3" aperture remodeler downlight designed for installation from below in an existing ceiling.
- Fixture is designed for use with a 12-volt, GU5.3 base, MR16-shaped retrofit lamp (by others) including:
 - Philips 6.6 watt 6.6MR16/LED
 - 7.0 watt 7MR16/LED
 - Philips 6.5 watt WarmGlow 6.5MR16, dim-to-warm
 - Sora 7.5 watt or 9.0 watt Brilliant or Vivid LED
 - Additional lamps may be suitable. Contact factory with inquiries.

- Reflector design minimizes aperture brightness with a shielding angle of 40°.

- If used with a Sora 10° lamp, Sora Snap System accessories may be applied to lamp.

- Reflectors are available in three clear natural aluminum finishes — semi-specular (C), slightly diffuse (V) or fully diffuse (EC) — as well as champagne gold or black Alzak®. Other finishes available on special order. A LightPlate™ decorative trim (see next page) may be ordered instead of a standard reflector.



- Trim flange conceals edges of ceiling installation hole. Standard finish is white; custom paint finish available on special order.

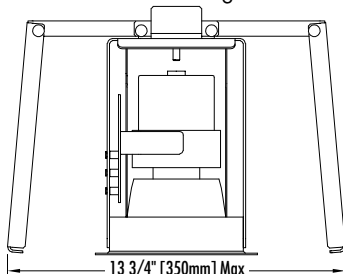
- Frame is constructed from 14-gauge electro-zinc steel in Edison Price Lighting's American factory.

- For more information, [click here](#).

APPLICATIONS

Installation locations should offer the following conditions:

- ceiling material 2" or less thick capable of supporting 14 pounds
- recess depth of 7 3/8" to 8 1/4", varying directly with ceiling thickness
- plenum free of joists or obstructions for as much as 6 7/8" to either side to accommodate 'legs' of frame and as much as 13" to one side to accommodate junction box, varying directly with ceiling thickness.

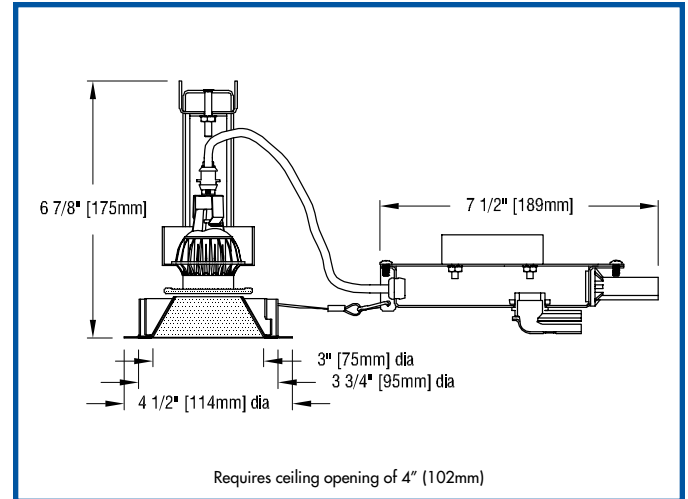


Fixture is cUL^{us} listed for Damp Location, includes an integral electronic transformer and is prewired with a thermal protector. Removal of the reflector and lamp holder allows access to the transformer and junction box.

LAMP (BY OTHERS) DIMMING INFO

Edison Price Lighting does not include lamps and does not sell either lamps or their accessories. For dimming compatibility consult the lamp manufacturer's website.

- Flush trim model, see [PRESTINA THREE MRE WL](#)
- Standard recessed, see [THREE MRE WL](#)



PRODUCT CODE

For complete product code, list basic unit and select one item from each following box.

Basic Unit PST-MRE-3DL
 Custom painted trim flange available on special order. Add -CC

Reflector Color
 Semi-specular Clear CTF
 Slightly diffuse Clear VTF
 Fully diffuse Clear ECTF
 Champagne Gold GTF
 Black BTF
 Other reflector finishes available on special order.

A LightPlate decorative trim (see below) may be ordered instead of the standard reflectors above.
 LightPlate Downlight Spot, white DP-TF
 Custom painted LightPlate available on special order. Add -CC

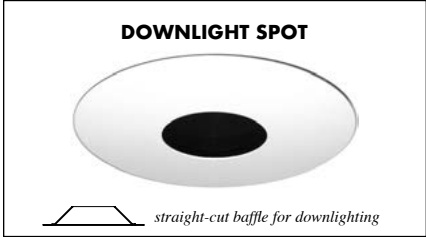
OPTION

Specify by adding to the basic unit.
 Integral transformer suitable for 277 volt operation - SS277

LIGHTPLATES ▼ See next page



LIGHTPLATE *LightPlate may be used instead of standard reflectors.*



For current lamp performance data, consult lamp manufacturer's website.