

# PRESTINA™ APLUS 19E/4

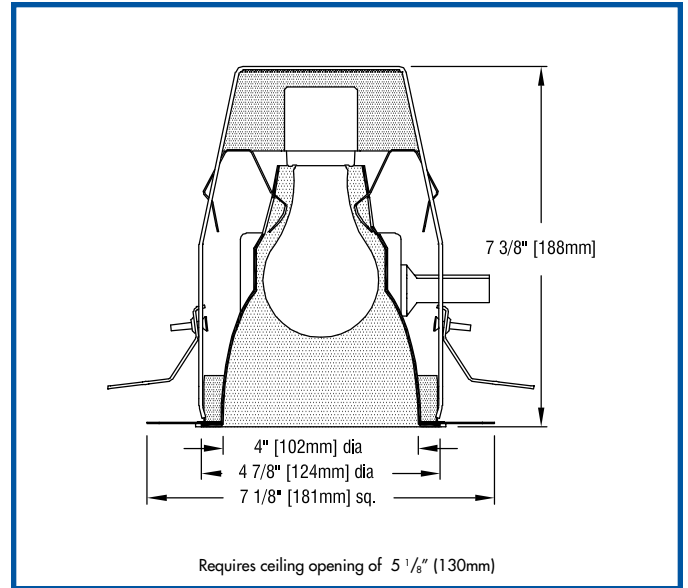
recessed LED A lamp trim flush remodeler



COMPETITIVELY PRICED - EPL QUALITY - COMPETITIVELY PRICED - EPL QUALITY - COMPETITIVELY PRICED - EPL QUALITY - COMPETITIVELY PRICED

## FEATURES

- **Prestina APlus 19E/4 is an efficient 4" aperture remodeler downlight** designed for installation from below in a sheet rock ceiling to achieve a flush reflector trim detail. Installation includes the application of drywall compound over the integral spackle screen to the rim of the integral plaster ring.
- **Fixture has been checked for fit and initial operation with A19 LED retrofit lamps** manufactured by
  - Cree
  - Green Creative
  - Additional lamps may be suitable. Contact factory with inquiries.
- **The fixture provides a shielding angle of 42°.** Precise reflector design minimizes aperture brightness. Recess depth is 7 7/8".
- **One basic housing allows interchangeable use of the downlight and wallwash reflectors.** This permits housings to be installed first and reflectors installed or changed at any time. Wallwash reflectors available are: wallwash (120°), corner wallwash (210°) and double wallwash (2x120°).
- **Reflector** are available in three clear natural aluminum finishes — semi-specular (C), slightly diffuse (V) or fully diffuse (EC) — as well as champagne gold Alzak®. Other reflector finishes are available on special order.
- **For more information, [click here.](#)**



## PRODUCT CODE

For complete product code, list basic unit and select one item from each following box.

Basic Unit .....	PSTA-A19-4
<b>Reflector Type</b>	
Downlight .....	no suffix
Wallwash .....	WW
Corner Wallwash .....	CWW
Double Wallwash .....	DWW

<b>Reflector Color</b>	
Semi-specular Clear .....	CTF
Slightly diffuse Clear .....	VTF
Fully diffuse Clear .....	ECTF
Champagne Gold .....	GTF
Other reflector finishes available on special order.	

## APPLICATIONS

Fixture is recommended for downlighting or wallwashing where fixtures are to be installed from below into existing ceilings.

Installation locations should offer the following conditions:

- sheetrock ceiling material 1 1/8" or less thick capable of supporting 14 pounds
- recess depth of at least 7 7/8"
- plenum free of joists or obstructions for at least 5 1/2" from center of hole along one side (to accommodate junction box).

### LAMPS BY OTHERS

Lamp (lightbulb) not included with fixture.

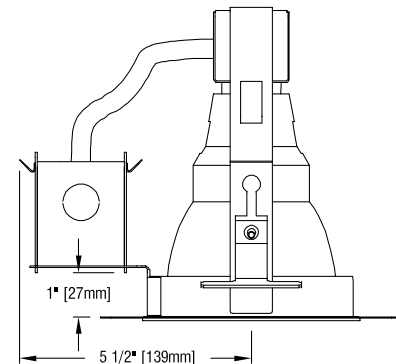
### DIMMING

For dimming compatibility consult the lamp manufacturer's website.

Standard recessed, see [APLUS 19E/4](#)

IC-rated, see [EPIC APLUS 19E/4](#)

Surface and pendant mounted, see [APLUS 19E SM AND PM](#)



# PRESTINA APLUS 19E/4



**Proration:** The photometric data below is the result of a test with a 1190 lumen incandescent A19 lamp. To predict performance, prorate this data by the lumen output of the LED A19 lamp you choose to use.

## PHOTOMETRIC REPORT

Report No. 46666. Original Independent Testing Laboratories, Inc. (ITL) test report furnished upon request.

Luminaire ..... recessed incandescent with spun aluminum reflector, specular finish  
 Lamp ..... 75-watt A-19, 1190 lumens  
 Efficiency ..... 49.7%  
 Spacing Criterion..... 0.9

### ZONAL LUMEN SUMMARY

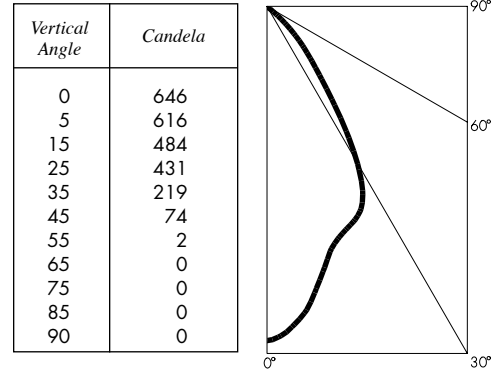
Zone	Lumens	% Lamp	% Fixture
0 - 30°	390	32.2	66.1
0 - 40°	531	44.6	89.8
0 - 60°	591	49.7	100.0
0 - 90°	591	49.7	100.0
90 - 180°	0	0.0	0.0
0 - 180°	591	49.7	100.0

### LUMINANCE DATA

Vertical Angle	Candela/m <sup>2</sup>
45	12118
55	328
65	0
75	0
85	0

To convert cd/m<sup>2</sup> to footlamberts multiply by 0.2919.

### CANDLEPOWER DISTRIBUTION



### COEFFICIENTS OF UTILIZATION – ZONAL CAVITY METHOD

Effective Floor Cavity Reflectance 20%

Ceiling Reflectance (%)	80				70				50				30				10				0
Wall Reflectance (%)	70	50	30	10	70	50	30	10	50	30	10	50	30	10	50	30	10	50	30	10	0
Room Cavity Ratio																					
0	59	59	59	59	58	58	58	58	55	55	55	53	53	53	51	51	51	50	50	50	
1	56	55	54	52	55	54	53	52	52	51	50	50	49	49	48	48	47	46	46	46	
2	53	51	49	47	52	50	48	47	48	47	46	47	46	45	46	45	44	44	43	43	
3	51	47	45	43	50	47	44	42	45	43	42	44	42	41	43	42	40	40	40	40	
4	48	44	41	39	47	43	41	39	42	40	38	41	39	38	40	39	37	37	37	37	
5	45	41	38	36	45	41	38	36	40	37	35	39	37	35	38	36	35	34	34	34	
6	43	38	35	33	42	38	35	33	37	35	33	37	34	33	36	34	32	32	32	32	
7	41	36	33	31	40	36	33	31	35	32	30	34	32	30	34	32	30	29	29	29	
8	39	34	31	29	38	33	30	28	33	30	28	32	30	28	32	30	28	27	27	27	
9	37	32	29	27	36	31	29	27	31	28	26	31	28	26	30	28	26	26	26	26	
10	35	30	27	25	34	30	27	25	29	27	25	29	26	25	28	26	25	24	24	24	

# PRESTINA APLUS 19E/4 WW

### WALLWASH INFORMATION

Distance From Ceiling (Feet)	2'6" From Wall; 2'6" O.C.		3' From Wall; 3' O.C.	
	Below Fixture	Between Fixtures	Below Fixture	Between Fixtures
1	5	5	5	5
2	7	6	6	6
3	7	7	7	7
4	10	10	8	8
5	12	12	9	8
6	13	12	9	9
7	13	12	8	7
8	8	7	5	4
9	5	4	2	2

All vertical footcandles are initial values with no contribution from ceiling or floor reflectances. Computation performed with a total of five wallwashers.

