

PRESTO™ APLUS 19E/6



MADE IN USA

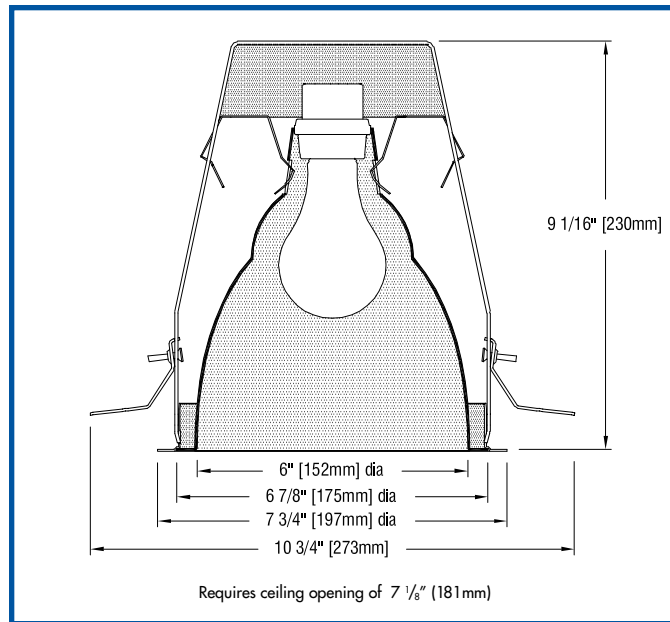
[Click here!](#)

recessed LED A lamp downlight/wallwasher remodeler

COMPETITIVELY PRICED - EPL QUALITY - COMPETITIVELY PRICED - EPL QUALITY - COMPETITIVELY PRICED - EPL QUALITY - COMPETITIVELY PRICED

FEATURES

- **Presto APlus 19E/6 is a 6" aperture remodeler downlight** which has been checked for fit and initial operation with A19 LED retrofit lamps manufactured by
 - Cree
 - Green Creative
 - Additional lamps may be suitable. Contact factory with inquiries.
- **The fixture provides a shielding angle of 40°.** Precise reflector design minimizes aperture brightness. Recess depth is 9 1/16".
- **One basic housing allows interchangeable use of the downlight and wallwash reflectors.** This permits housings to be installed first and reflectors installed or changed at any time. Wallwash reflectors available are: wallwash (120°), corner wallwash (210°) and double wallwash (2x120°).
- **Reflector** are available in three clear natural aluminum finishes
 - semi-specular (C), slightly diffuse (V) or fully diffuse (EC)
 - as well as champagne gold Alzak®. Other reflector finishes are available on special order.
- **Trim flange conceals edges of ceiling installation hole.** Standard finish is white; custom paint finish available on special order.
- **For more information, [click here.](#)**



PRODUCT CODE

For complete product code, list basic unit and select one item from each following box.

Basic Unit PST-A19-6
 Custom painted trim flange available on special order. Add -CC

Reflector Type
 Downlightno suffix
 Wallwash..... WW
 Corner Wallwash..... CWW
 Double Wallwash..... DWW

Reflector Color
 Semi-specular Clear CTF
 Slightly diffuse Clear..... VTF
 Fully diffuse Clear..... ECTF
 Champagne GoldGTF
 Other reflector finishes available on special order.

APPLICATIONS

Fixture is recommended for downlighting or wallwashing where fixtures are to be installed from below into existing ceilings.

Installation locations should offer the following conditions:

- ceiling material 1 1/8" or less thick capable of supporting 14 pounds
- recess depth of at least 9 9/16"
- plenum free of joists or obstructions for at least 6 9/16" from center of hole along one side (to accommodate junction box).

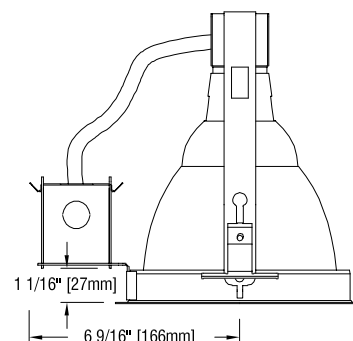
LAMPS BY OTHERS

Lamp (lightbulb) not included with fixture.

DIMMING

For dimming compatibility consult the lamp manufacturer's website.

Standard recessed, see [APLUS 19E/6](#)
 IC-rated, see [EPIC APLUS 19E/6](#)
 Surface and pendant mounted, see [APLUS 19E SM AND PM](#)



PRESTO APLUS 19E/6



Proration: The photometric data below is the result of a test with a 1690 lumen incandescent A19 lamp. To predict performance, prorate this data by the lumen output of the LED A19 lamp you choose to use.

PHOTOMETRIC REPORT

Prorated from Report No. 32783. Original Independent Testing Laboratories, Inc. (ITL) test report furnished upon request.

Luminaire recessed incandescent with spun aluminum reflector, specular finish

Lamp 100-watt A-19, 1690 lumens

Efficiency 67.2%

Spacing Criterion..... 1.0

ZONAL LUMEN SUMMARY

Zone	Lumens	% Lamp	% Fixture
0 – 30°	631	37	56
0 – 40°	962	57	85
0 – 60°	1130	67	100
0 – 90°	1134	69	100
90 – 180°	0	0	0
0 – 180°	1134	67	100

LUMINANCE DATA

Vertical Angle	Candela/m ²
45	16048
55	478
65	259
75	212
85	0

To convert cd/m² to footlamberts multiply by 0.2919.

CANDLEPOWER DISTRIBUTION

Vertical Angle	Candela
0	846
5	812
15	775
25	730
35	548
45	207
55	5
65	2
75	1
85	0
90	0

COEFFICIENTS OF UTILIZATION – ZONAL CAVITY METHOD

Effective Floor Cavity Reflectance 20%

Ceiling Reflectance (%)	80				70				50				30				10				0								
Wall Reflectance (%)	70	50	30	10	70	50	30	10	50	30	10	50	30	10	50	30	10	50	30	10	50	30	10	50	30	10	50	30	10
Room Cavity Ratio																													
0	80	80	80	80	78	78	78	78	75	75	75	71	71	71	69	69	69	67											
1	76	75	73	71	75	73	72	70	70	69	68	68	67	66	66	65	64	63											
2	73	70	67	65	71	69	66	64	67	65	63	65	63	62	63	61	60	59											
3	69	65	62	60	68	64	61	59	63	60	58	61	59	57	60	58	56	55											
4	66	61	58	55	65	60	57	55	59	56	54	58	55	53	56	54	53	52											
5	63	57	53	50	61	56	53	50	55	52	50	54	51	49	53	51	49	48											
6	59	53	50	47	58	53	49	47	52	49	46	51	48	46	50	48	46	45											
7	56	50	46	43	55	49	45	43	48	45	43	48	45	42	47	44	42	41											
8	53	46	42	39	52	46	42	39	45	42	39	44	41	39	44	41	39	38											
9	50	43	39	36	49	42	39	36	42	38	36	41	38	36	41	38	35	35											
10	47	40	36	33	46	39	36	33	39	35	33	38	35	33	38	35	33	32											

PRESTO APLUS 19E/6 WW

WALLWASH INFORMATION

Distance From Ceiling (Feet)	2'6" From Wall; 2'6" O.C.		3' From Wall; 3' O.C.	
	Below Fixture	Between Fixtures	Below Fixture	Between Fixtures
1	14	15	9	9
2	21	20	13	12
3	25	25	16	15
4	23	23	17	17
5	18	18	15	15
6	14	14	13	12
7	11	10	10	10
8	8	8	8	8
9	6	6	6	6

All vertical footcandles are initial values with no contribution from ceiling or floor reflectances. Computation performed with a total of five wallwashers.

