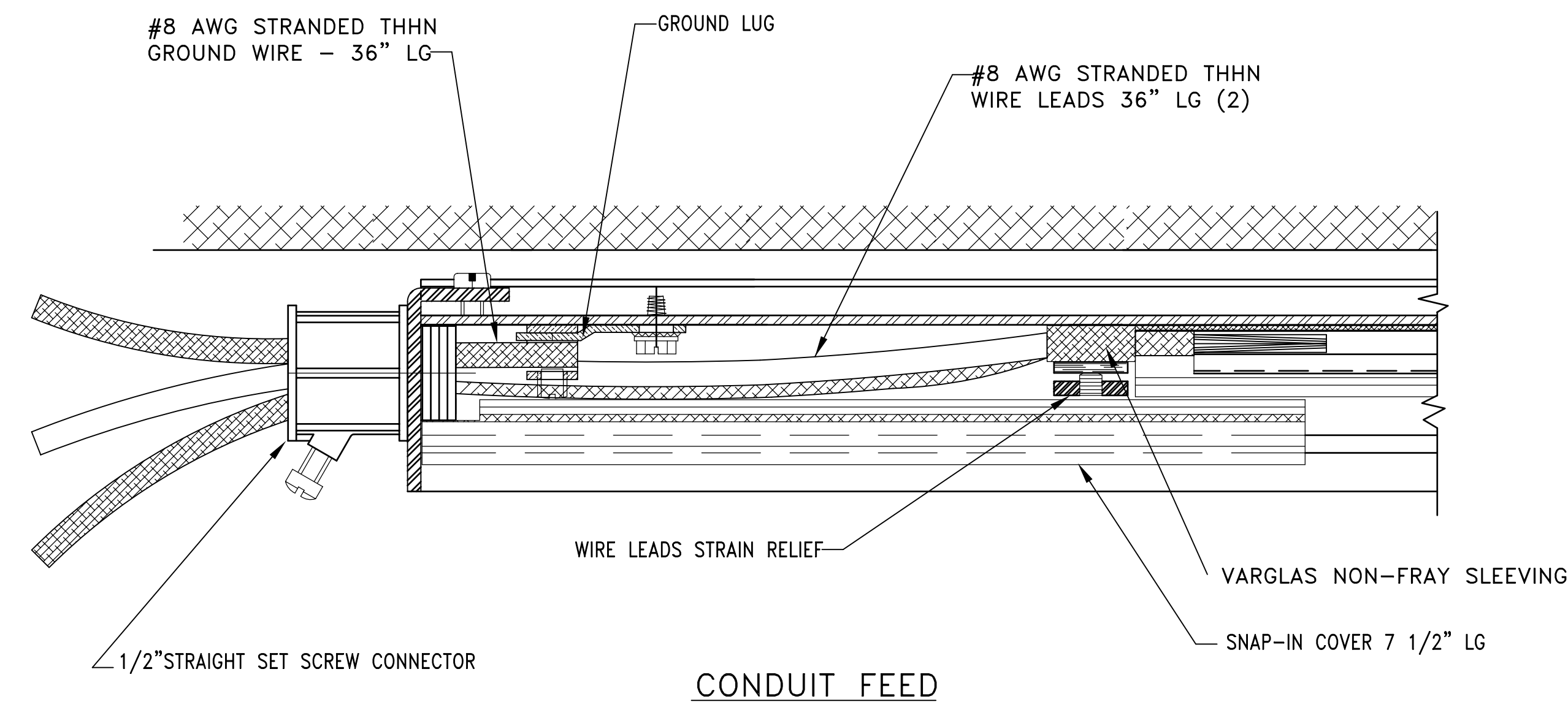
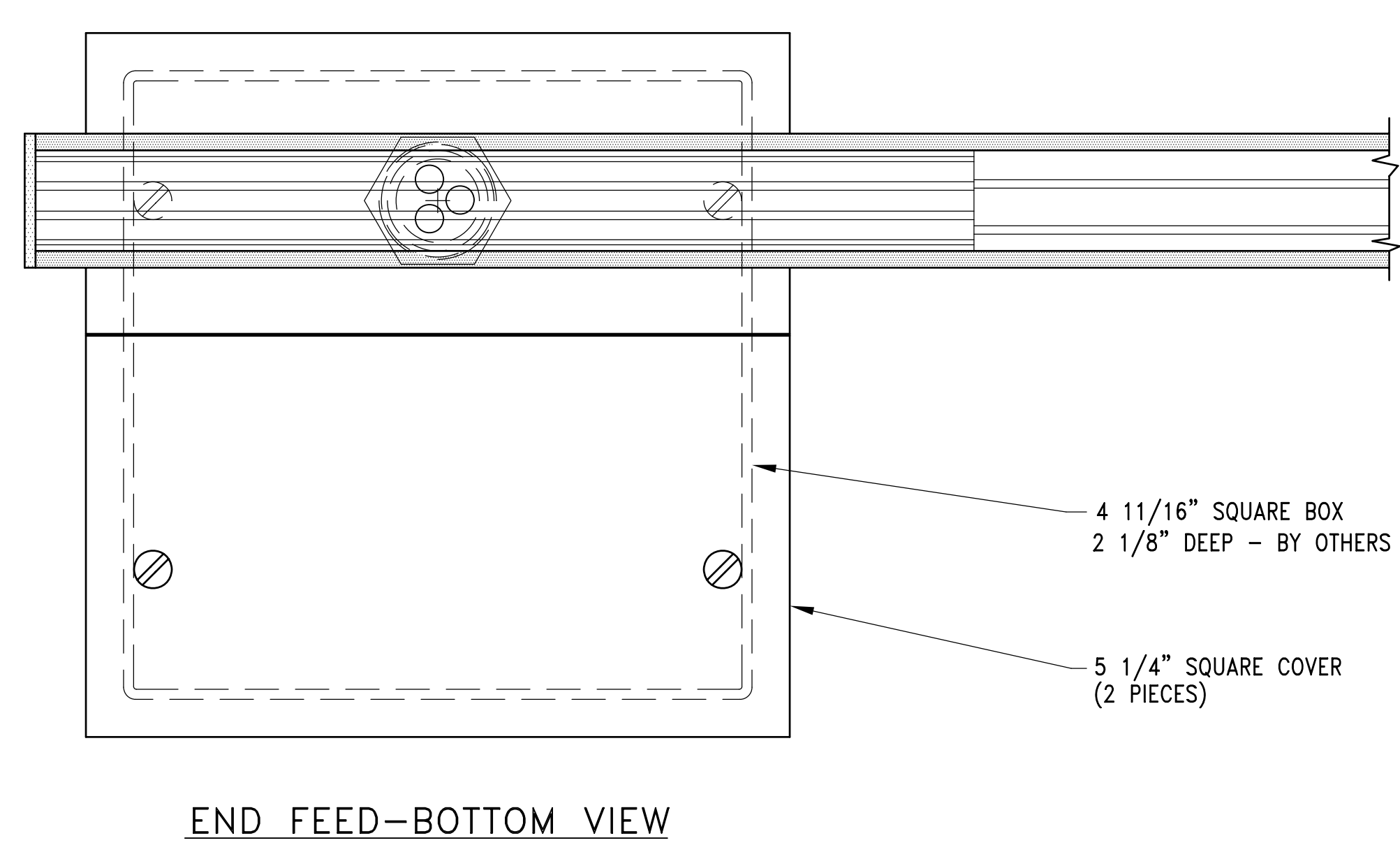
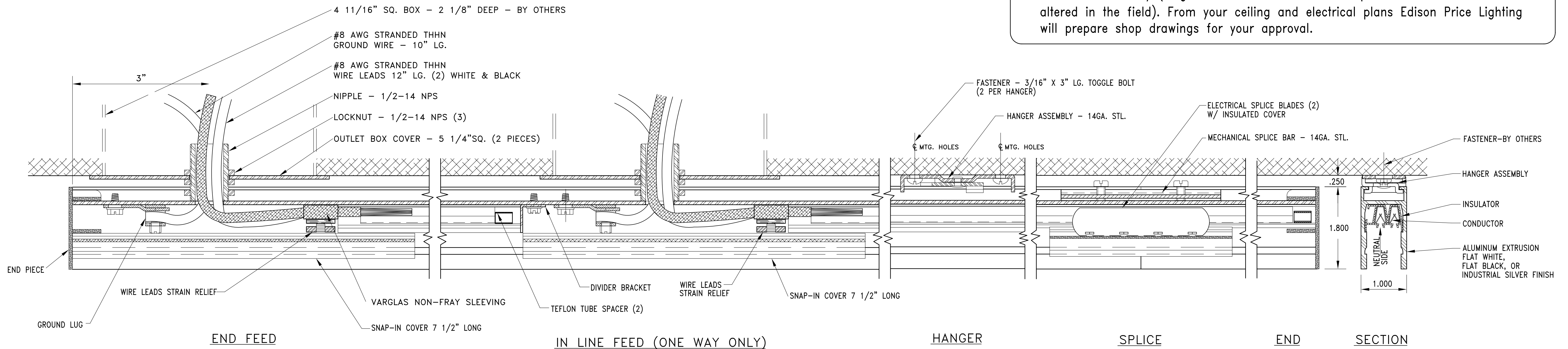


AUTOBUS®-120 S DESIGN NOTES

1. 4 11/16" x 2 1/8" deep outlet boxes required for #8 wire.
2. AutoBus-120 S is single circuit busway suitable for 60-amp, 120 volt service.
3. Three standard Feeds are available, each with integral #8 leads:
 - End Feed
 - Conduit Feed
 - In Line Feed (which powers track to one side only).
4. Three standard Joints are available:
 - L Joint, with or without splices to continue circuit through L Joint
 - T Joint, with or without splices to continue circuit through two legs of T
 - X Joint, with or without splices to continue circuit through two legs of X.
5. 5' maximum between hangers.
6. AutoBus-120 S is UL listed to power Edison Price Lighting
 - track fixtures with 60-amp, 120-volt adapters (-1C) and
 - PowerPoint-120 receptacle accessories (see three separate drawings).
7. Made to order only (lengths cannot be cut and feed positions cannot be altered in the field). From your ceiling and electrical plans Edison Price Lighting will prepare shop drawings for your approval.



DESIGNED BY	DATE	<p>41-50 22nd STREET LIC, NY 11101 TEL 718.685.0700 FAX 718.706.1628 E-MAIL DESIGN@EPL.COM</p>	
DRAWN BY	DATE		
SUBMITTED BY	DATE		
FIXTURE		AUTOBUS-120 S	
PROJECT			
TYPE	REVISION	SCALE	BOM #
QTY	ORDER #	DWG.SIZE	SHT. OF DWG