

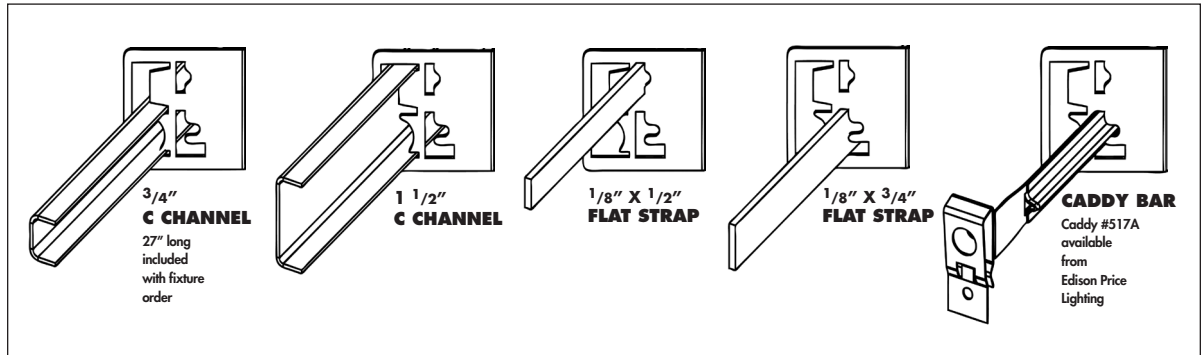
# INSTALLATION INSTRUCTIONS

## mounting bars

Three kinds of mounting bars may be purchased as accessories from Edison Price Lighting.

Standard mounting bars are 27" long, 3/4" high C channels for use in suspended ceiling systems.

Caddy #517A bars are 26" long telescoping bars which attach easily to many kinds of suspended T-bar.



## installation

This luminaire is listed, suitable for use in a fire rated ceiling, and should be installed in accordance with the National Electrical Code and local regulations.

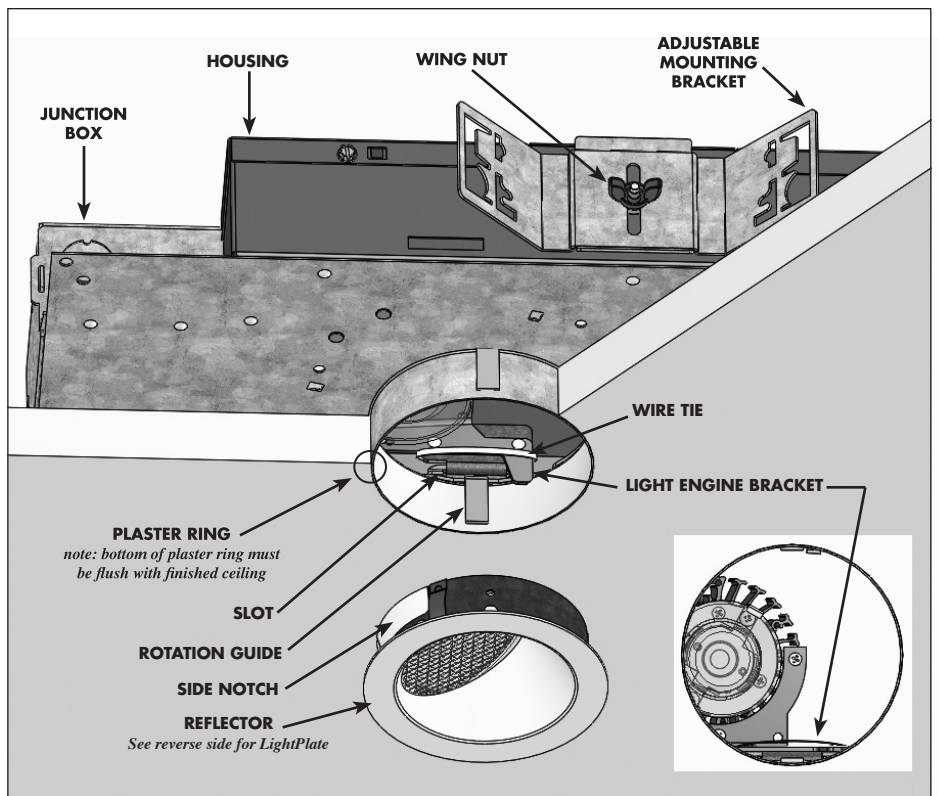
- Insert mounting bars through to the adjustable mounting brackets on either side of the luminaire.

This luminaire can be attached to ceiling runners which are positioned no less than 1" and no more than 3" above the finished ceiling surface.

- Position the luminaire so that its mounting bars lie on top of the ceiling runners.
- When the luminaire is correctly located, fasten the mounting bars securely to the ceiling runners.
- Adjust the luminaire to the proper height by loosening the wing nuts on both adjustable brackets and setting the luminaire so that the bottom edge of the circular plaster ring will be flush with the surface of the finished ceiling. Tighten the wing nuts.
- Wire the luminaire following the instructions on the reverse.

After all ceiling installation and finishing work is complete.

- Snip and remove the plastic wire tie securing the LED engine.
- Adjust (focus) the light engine assembly as described on the reverse.
- Line up reflector side notch with light engine bracket.
- Push reflector, slowly and evenly, into luminaire.

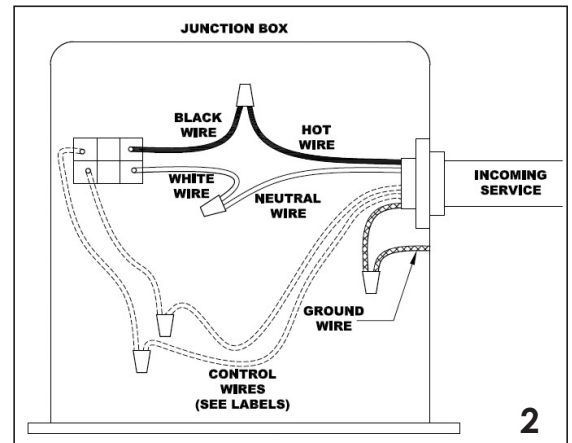
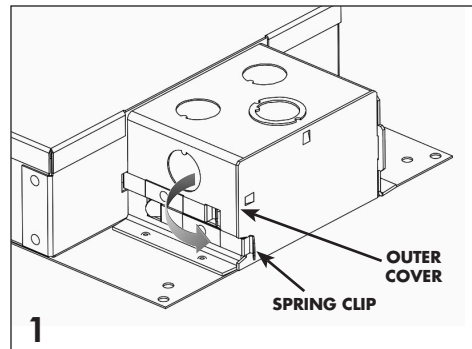


601487-00

# wiring

**Note:** This luminaire is not approved for branch circuit pull through wiring.

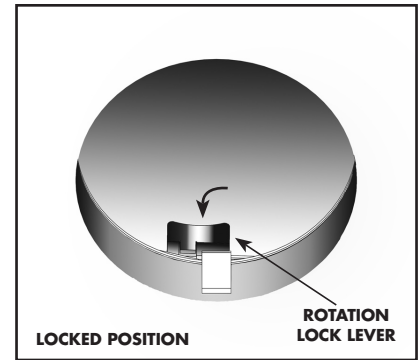
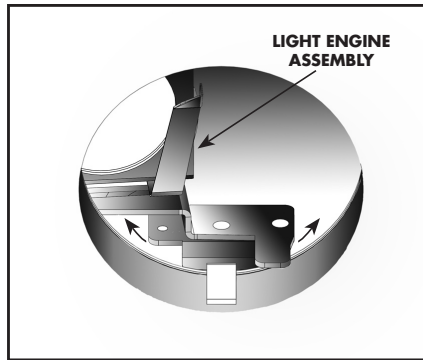
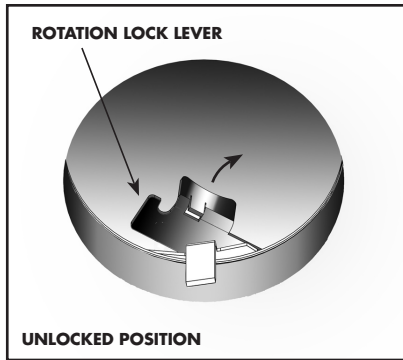
- Remove outer cover of junction box by pushing the spring clip toward the right side of the box (Image 1)
- Splice incoming hot wire to the black lead. Splice the incoming neutral wire to the white lead. Check the splice on the two green leads (Image 2)
- Splice the control wires depending upon the type of dimming (See labels on the control wires)
- Put wire nuts on all open splices. (Image 2).
- Snap junction box cover back into place. (Image 1)



# adjustment

If rotation adjustment is required

- **Unlock rotation** by placing a fingertip on top of rotation lock lever and pulling in toward center of fixture aperture
- **Adjust rotation** by grasping light engine assembly and pushing it gently around aperture.
- **Lock rotation** by pushing rotation lock lever back into original position.



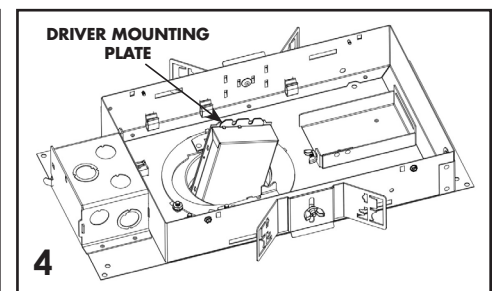
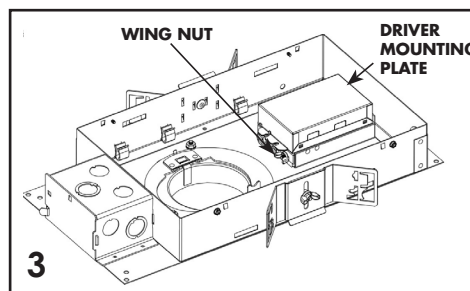
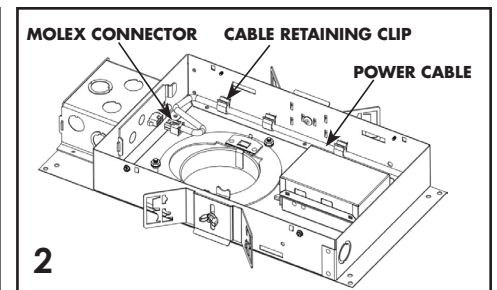
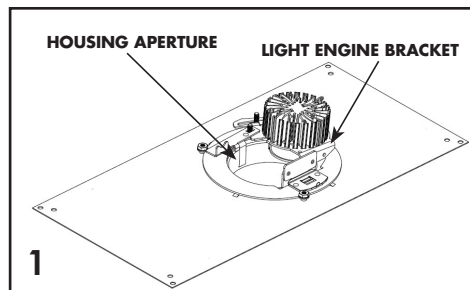
# servicing

**WARNING! DO NOT 'HOTWIRE' LIGHT ENGINE.**  
To prevent damage to light engine, disconnect and re-connect only with electricity off.

To gain access to the driver through the luminaire aperture:

- **Remove the reflector** by pulling straight down.
- **Remove the light engine assembly** by curling a fingertip around the edge of the light engine bracket and pulling it out of its mounting slot. (Image 1)
- **Detach the lead** from the light engine assembly.
- **Detach the moxex connector**, release the cable from cable retaining clips. (Image 2)
- **Loosen the wing nut** from the driver mounting plate, and pull the plate and driver toward the housing aperture. (Image 3)
- **Angle the driver** out of the housing aperture. (Image-4)

Reverse procedure to install new driver.



# reflector maintenance

The reflector may be cleaned of dust with a damp, soft lint-free cloth. To remove fingerprints or dirt, wash with a solution of dishwashing detergent and water, rinse, and dry with a soft lint-free cloth. Avoid wiping when reflector surface is dry.