

# INSTALLATION INSTRUCTIONS

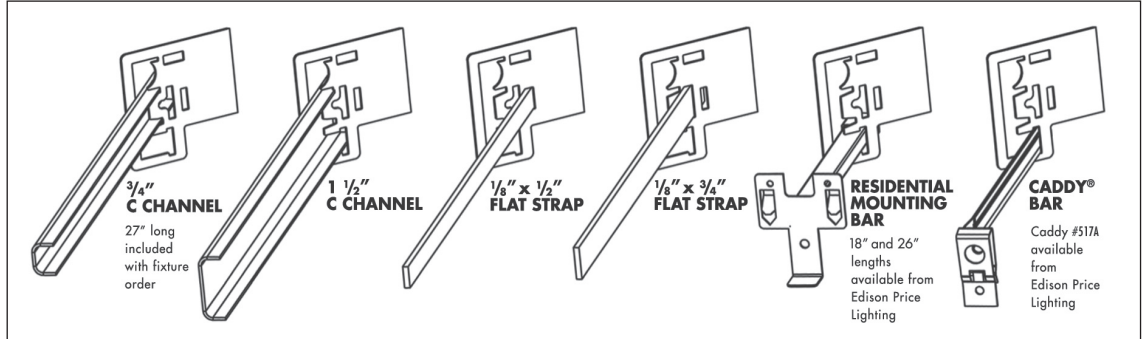
## mounting bars

Three kinds of mounting bars may be purchased as accessories from Edison Price Lighting.

**Standard mounting bars** are 27" long, 3/4" high C channels for use in suspended ceiling systems.

**Residential mounting bars** are 18" and 26" long telescoping bars for use in wood joist construction.

**Caddy #517A bars** are 26" long telescoping bars which attach easily to many kinds of suspended T-bar.



## installation: housing

This fixture is listed and should be installed in accordance with the National Electrical Code and local regulations.

- Insert mounting bars through the adjustable mounting brackets on either side of the fixture.

This fixture can be attached to ceiling runners which extend no less than 7/8" and no more than 3 3/8" above the finished ceiling surface.

- Position the fixture so that its mounting bars lie on top of the ceiling runners.
- When the fixture is correctly located, fasten the mounting bars securely to the ceiling runners.
- Adjust the fixture to the proper height by loosening the wing nuts on both adjustable brackets and setting the fixture *so that the bottom edge of the circular plaster ring will be flush with the surface of the finished ceiling*. Tighten the wing nuts.

**WARNING: Do not install ceiling insulation within 3 inches of fixture sides nor above fixture in such a way to entrap heat.**

- Wire the fixture following the instructions on the reverse side of this sheet.

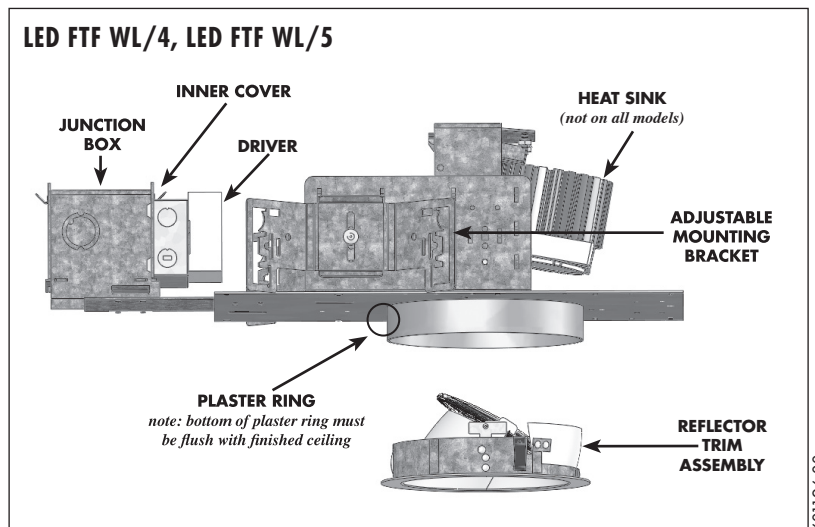
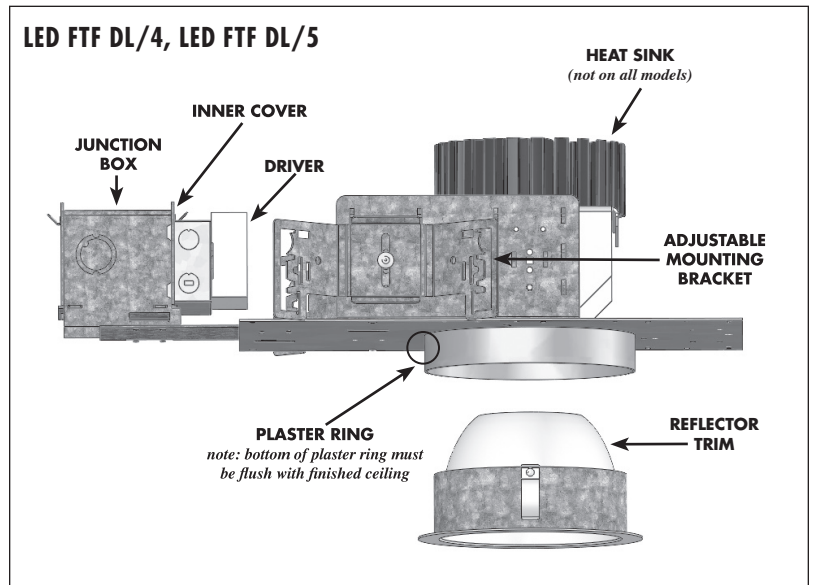
After all ceiling finishing work is complete, install the reflector trim.

## installation: reflector


**LED FTF DL/4, LED FTF DL/5 downlights:** Insert the reflector into the housing.

**LED FTF WL/4, LED FTF WL/5 wallwasher:** Prepare the reflector by inserting the lens.

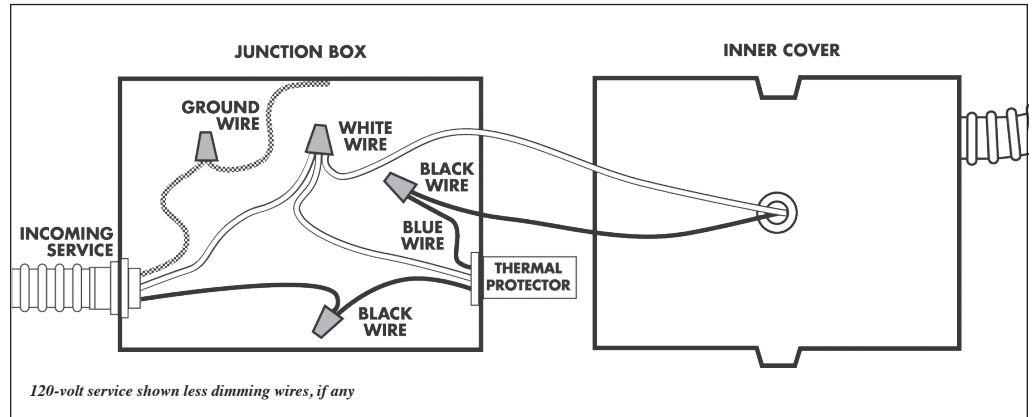
- Insert the spread lens, smooth side up, in the two lens springs, on top of the reflector.
- Insert reflector assembly into housing with lens facing the wall.



# wiring

This fixture is  listed and is approved for eight #12 wire 90°C branch circuit pull-through wiring. Note: Not all models include a thermal protector.

- Remove inner cover of junction box by releasing spring clip on top of box.
- Splice incoming black wire to black thermal protector (TP) lead. Splice incoming white wire to white leads from TP and ballast. Splice blue TP lead to black ballast lead. Splice incoming ground to box ground.
- Put wire nuts on all open splices.
- Snap junction box cover back into place.



# servicing

LED modules and drivers are replaced at end-of-life as follows:

- interrupt electrical circuit by which luminaire is powered; and
- remove reflector or reflector assembly

## LED MODULE REPLACEMENT:

### LED FTF DL/4 & LED FTF DL/5

3000 L & 4000 L models

1. Loosen 2 hex head screws, one on either side of the yoke.
2. Loosen 2 screws on either side of the LED assembly (see Detail A).
3. Tilt yoke away from the driver side then slide the LED module/heat sink assembly out from support yoke.
4. Remove LED module/heat sink assembly through aperture
5. Detach the molex connector. Discard old LED assembly.
6. Install new LED module, reversing the steps above.

1100 L, 1500L & 2000 L models

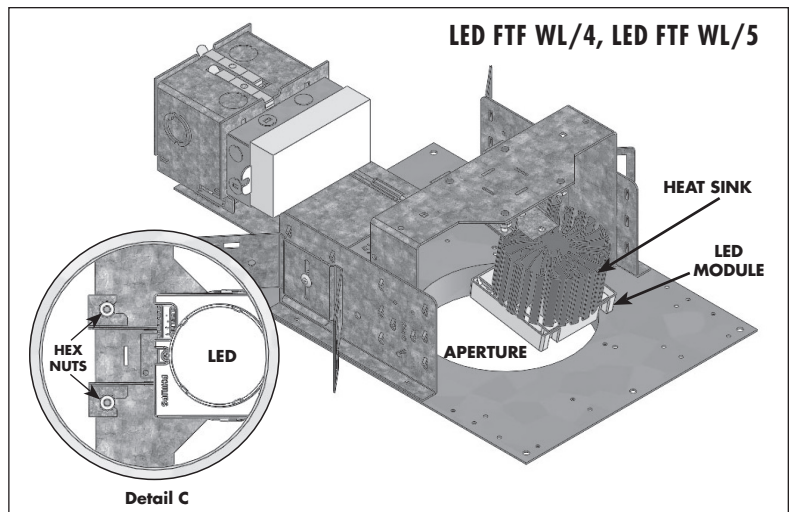
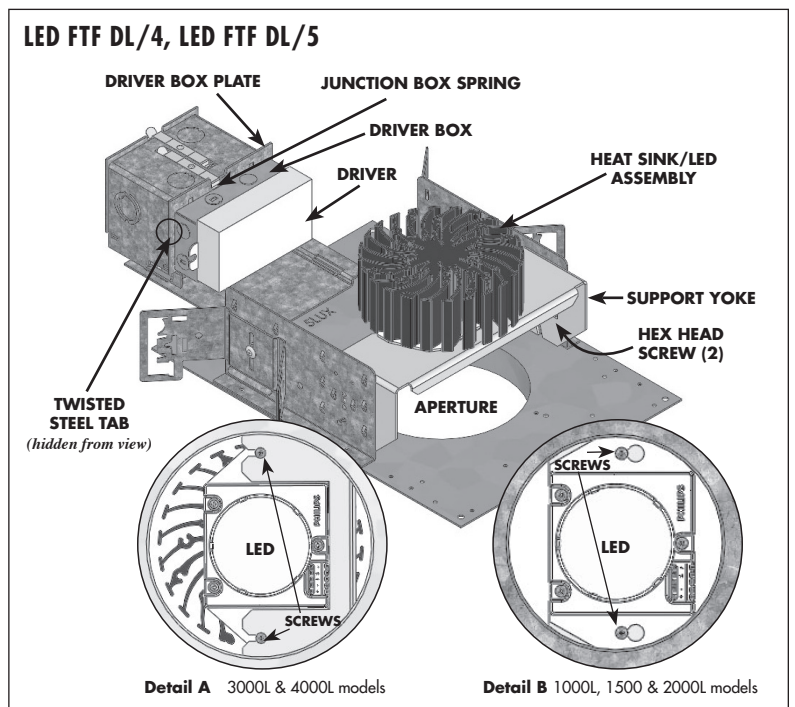
1. Loosen 2 screws on either side of the LED assembly (see Detail B).
2. Slide LED module/heat sink assembly out from support yoke.
3. Remove LED module/heat sink assembly through aperture
4. Detach the wire connector. Discard the LED assembly.
5. Install new LED module, reversing the steps above.

### LED FTF WL/4 & LED FTF WL/5

1. Loosen (do not remove) 2 hex nuts near LED (Detail C).
2. Grasp LED module/heat sink assembly and slide toward center of aperture. Remove assembly through the aperture.
3. Detach wire lead. Discard LED module.
4. Install new LED module, reversing the steps above.

## DRIVER REPLACEMENT:

1. If needed for clearance:
  - a. Loosen 2 hex head screws (one on either side of support yoke) tilt yoke to one side to gain access to driver.
  - b. Disengage LED module assembly from support yoke.
2. Press up on junction box spring to release driver box plate.
3. Disconnect orange wire connectors. Withdraw driver box and plate from housing.
4. Open box by untwisting, with pliers, the twisted steel tab holding box to plate
5. Replace old driver with new driver and box.
6. Reverse steps above to install new driver



# reflector maintenance

Reflector may be cleaned of dust with a damp, soft lint-free cloth. To remove fingerprints or dirt, wash with a solution of dishwashing detergent and water, rinse, and dry with a soft lint-free cloth. Avoid wiping when reflector surface is dry.