

INSTALLATION INSTRUCTIONS

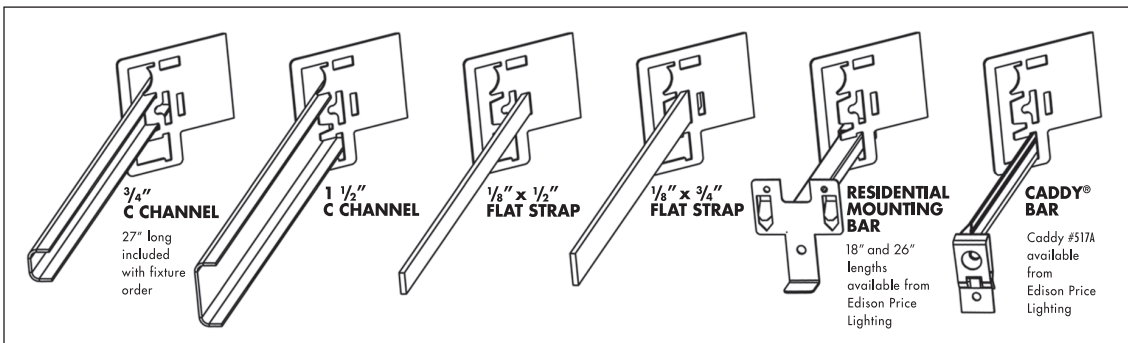
mounting bars

Three kinds of mounting bars may be purchased as accessories from Edison Price Lighting.

Standard mounting bars are 27" long, 3/4" high C channels for use in suspended ceiling systems.

Residential mounting bars are 18" and 26" long telescoping bars for use in wood joist construction.

Caddy #517A bars are 26" long telescoping bars which attach easily to many kinds of suspended T-bar.



installation

This fixture is cULus listed, suitable for use in a fire rated ceiling, and should be installed in accordance with the National Electrical Code and local regulations.

- Insert mounting bars through the adjustable mounting brackets on either side of the fixture.

This fixture can be attached to ceiling runners which extend no less than 7/8" and no more than 3 3/8" above the finished ceiling surface.

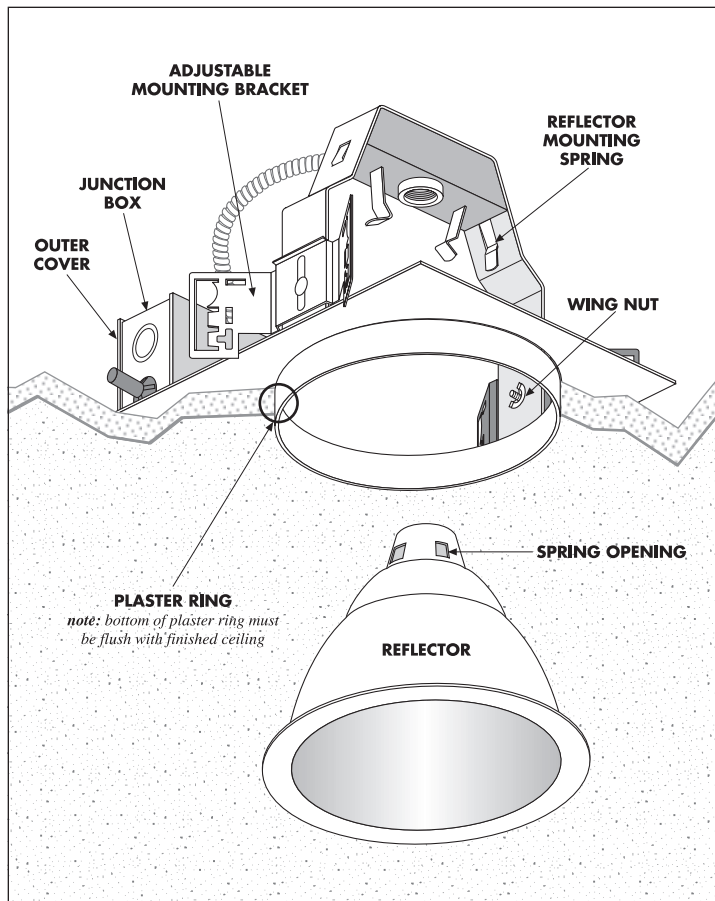
- Position the fixture so that its mounting bars lie on top of the ceiling runners.
- When the fixture is correctly located, fasten the mounting bars securely to the ceiling runners.
- Adjust the fixture to the proper height by loosening the wing nuts on both adjustable mounting brackets and setting the fixture so that the bottom edge of the circular plaster ring will be flush with the surface of the finished ceiling. Tighten the wing nuts.

WARNING: Do not install ceiling insulation within 3 inches of fixture sides nor above fixture in such a way to entrap heat.


- Wire the fixture following the instructions on the reverse side of this sheet.

After all ceiling installation and finishing work is complete, install reflector.

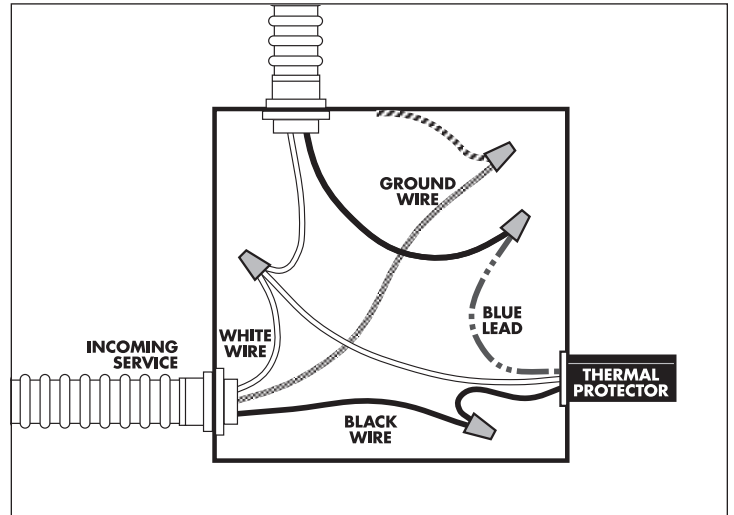
- Insert the reflector into the fixture. Make sure that the two of the four rectangular holes in the top of the reflector are engaged by the reflector mounting springs. **Note:** This fixture is supplied with one of five reflectors – downlight, wallwash, corner wallwash, double wallwash or half wallwash. If a wallwash reflector is used, the reflector will have a label reading "MOUNT THIS SIDE TOWARD LIGHTED WALL".



wiring

This fixture is  listed and approved for ten #12 wire 75°C branch circuit pull-through wiring.

- **Remove outer cover of junction box by releasing spring clip on top of box.**
- **Splice the incoming black wire to the black lead.**
- **Splice the incoming white wire to the set of white leads.**
- **Splice the incoming green ground wire to the bare copper wire attached to the inside of the junction box.**
- **Do not disturb the blue lead splice.**
- **Replace wire nuts on all open splices.**
- **Snap junction box cover back into place.**



lamping

Install the proper A or Halogena (HAL) lamp as indicated on the label located inside each reflector. Do not exceed the maximum wattage. Note: If the lamp goes out after a short period of time and relights after cooling, the lamp wattage may be greater than maximum, or insulation may be too close to the fixture.

reflector maintenance

Reflector may be cleaned of dust with a damp, soft lint-free cloth. To remove fingerprints or dirt, wash with a solution of dishwashing detergent and water, rinse, and dry with a soft lint-free cloth. Avoid wiping when reflector surface is dry.