

INSTALLATION INSTRUCTIONS

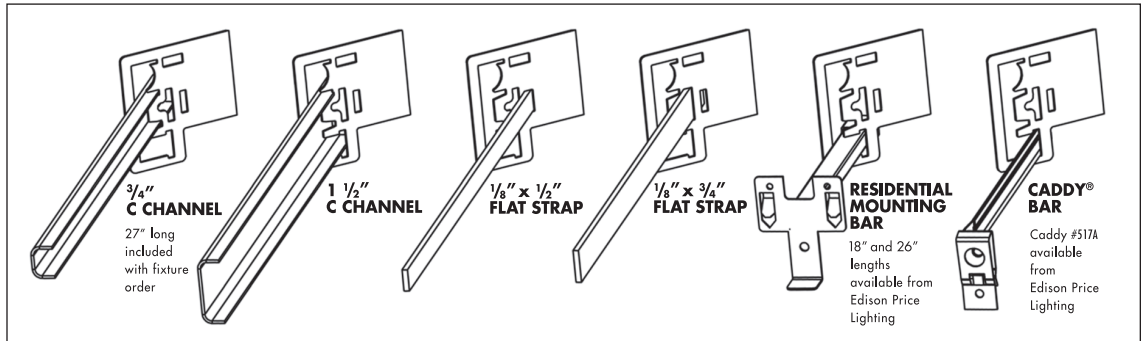
mounting bars

Three kinds of mounting bars may be purchased as accessories from Edison Price Lighting.

Standard mounting bars are 27" long, 3/4" high C channels for use in suspended ceiling systems.

Residential mounting bars are 18" and 26" long telescoping bars for use in wood joist construction.

Caddy #517A bars are 26" long telescoping bars which attach easily to many kinds of suspended T-bar.



installation

This fixture is cULus listed, suitable for use in a fire rated ceiling, and should be installed in accordance with the National Electrical Code and local regulations.

- **Insert mounting bars through the adjustable mounting brackets on either side of the fixture.**

This fixture can be attached to ceiling runners which extend no less than 7/8" and no more than 3 3/8" above the finished ceiling surface.

- **Position the fixture so that its mounting bars lie on top of the ceiling runners.**
- **When the fixture is correctly located, fasten the mounting bars securely to the ceiling runners.**
- **Adjust the fixture to the proper height by loosening the wing nuts on both adjustable mounting brackets and setting the fixture so that the bottom edge of the circular plaster ring will be flush with the surface of the finished ceiling. Tighten the wing nuts.**

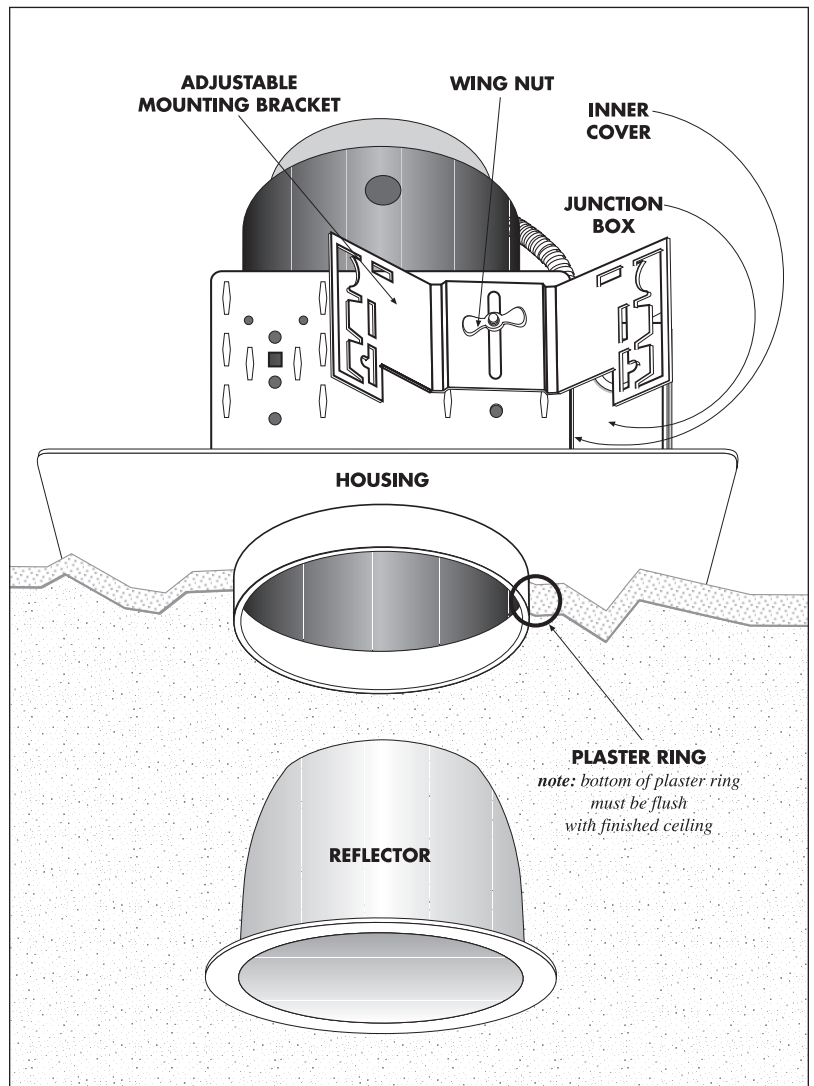
WARNING: Do not install ceiling insulation within 3 inches of fixture sides nor above fixture in such a way to entrap heat.

- **Wire the fixture following the instructions on the reverse side of this sheet.**



Insert the lamp.

After all ceiling installation and finishing work is complete, install the reflector.

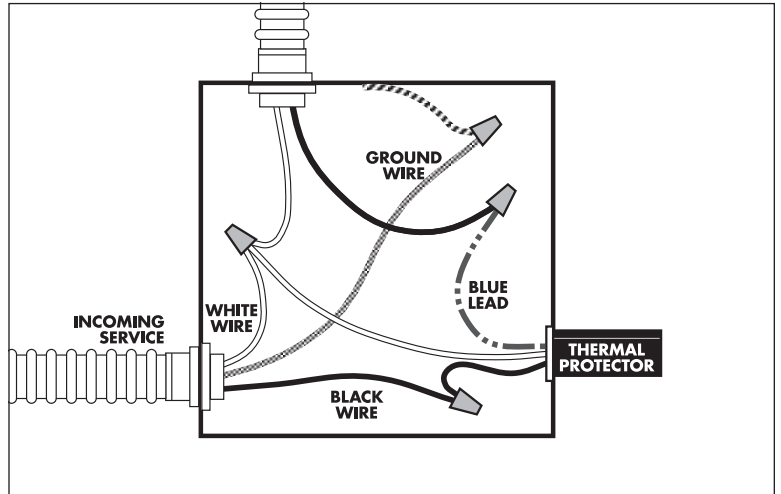
- **Insert the reflector into the housing.**



wiring

Darklite 38/5 fixtures are  listed for ten #12 wire 90°C branch circuit pull-through wiring. All other Darklite 20, Darklite 30 and Darklite 38 fixtures are  listed for ten #12 wire 75°C branch circuit pull-through wiring.

- **Remove outer cover of junction box by releasing spring clip on top of box.**
- **Splice incoming black wire to the black lead. Splice the incoming white wire to the pair of white leads. Splice the incoming green ground wire to the green lead.**
- **Put wire nuts on all open splices.**
- **Do not disturb the blue lead splice.**
- **Snap wireway cover back into place.**



reflector maintenance

Reflector may be cleaned of dust with a damp, soft lint-free cloth. To remove fingerprints or dirt, wash with a solution of dishwashing detergent and water, rinse, and dry with a soft lint-free cloth. Avoid wiping when reflector surface is dry.