

# INSTALLATION INSTRUCTIONS

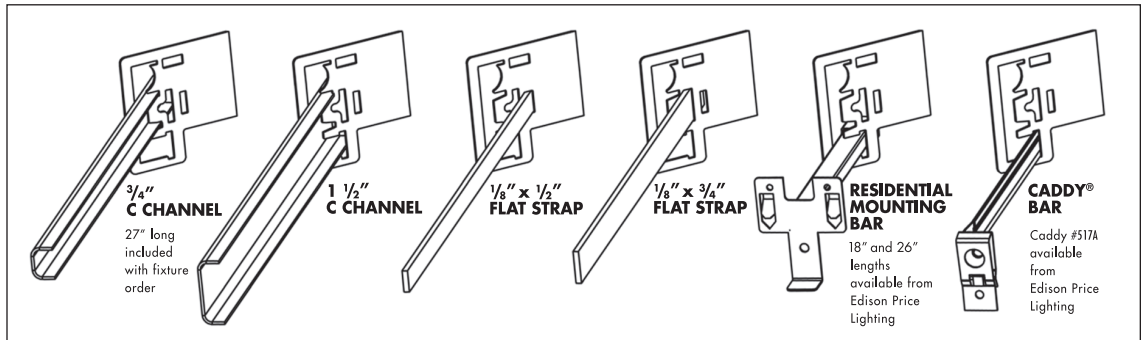
## mounting bars

Three kinds of mounting bars may be purchased as accessories from Edison Price Lighting.

Standard mounting bars are 27" long, 3/4" high C channels for use in suspended ceiling systems.

Residential mounting bars are 18" and 26" long telescoping bars for use in wood joist construction.

Caddy #517A bars are 26" long telescoping bars which attach easily to many kinds of suspended T-bar.



## installation

This fixture is cULus listed, suitable for use in a fire rated ceiling, and should be installed in accordance with the National Electrical Code and local regulations.

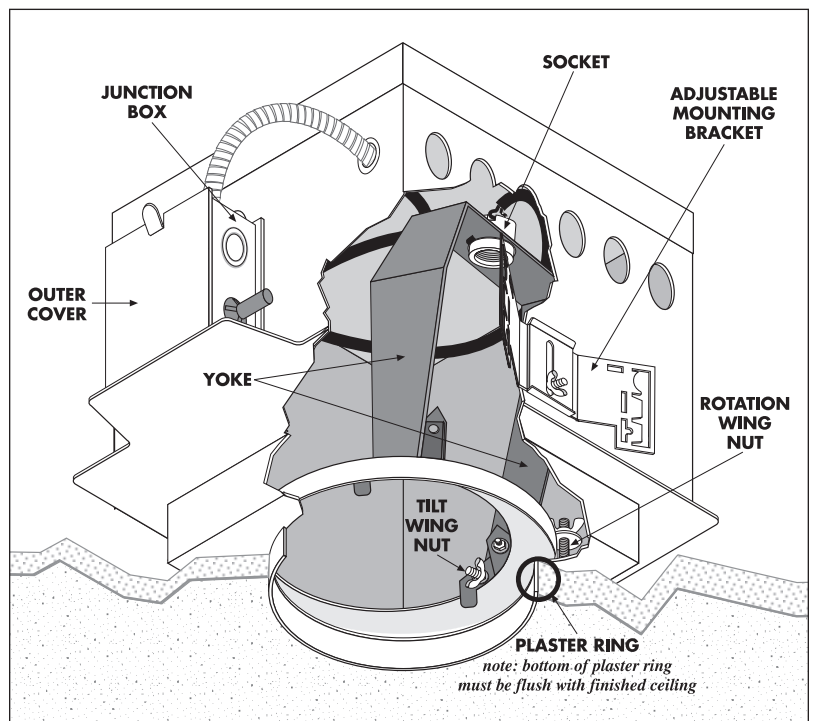
**WARNING:** Unless labeled otherwise, all Darklite 38/45/5AA, Darklite 38/40/6AA and Darklite 38/40/7AA fixtures must be spaced at least 36" apart and 18" from walls, and must have 6" clearance above housing.

- **Insert mounting bars through the adjustable mounting brackets on either side of the fixture.**

This fixture can be attached to ceiling runners which extend no less than 1" and no more than 3 5/8" above the finished ceiling surface.

- **Position the fixture so that its mounting bars lie on top of the ceiling runners.**
- **When the fixture is correctly located, fasten the mounting bars securely to the ceiling runners.**
- **Adjust the fixture to the proper height by loosening the wing nuts on both adjustable brackets and setting the fixture so that the bottom edge of the circular plaster ring will be flush with the surface of the finished ceiling. Tighten the wing nuts.**

**WARNING:** Do not install ceiling insulation within 3 inches of fixture sides nor above fixture in such a way to entrap heat.

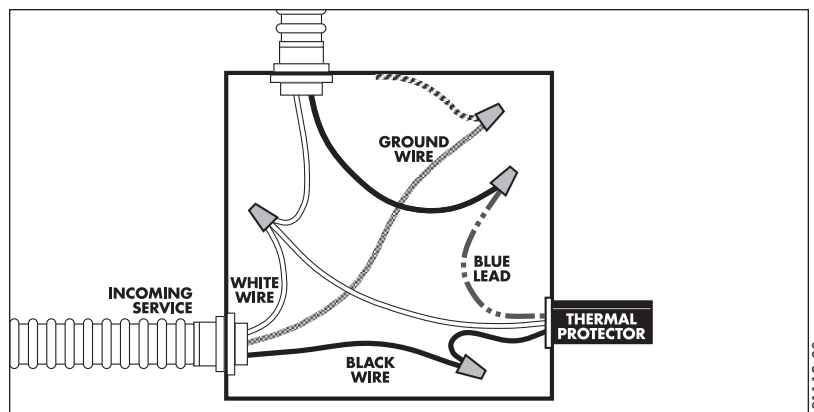


## wiring

Darklite 20 AA and Darklite 30 AA fixtures are cULus listed for ten #12 wire 75°C branch circuit pull-through wiring.

Darklite 38 AA fixtures are cULus listed for ten #12 wire 90°C branch circuit pull-through wiring.

- **Remove outer cover of junction box by releasing spring clip on top of box.**
- **Splice incoming black wire to the black lead. Splice the incoming white wire to the pair of white leads. Splice the incoming green ground wire to the green lead.**
- **Put wire nuts on all open splices.**
- **Do not disturb the blue lead splice.**
- **Snap wireway cover back into place.**



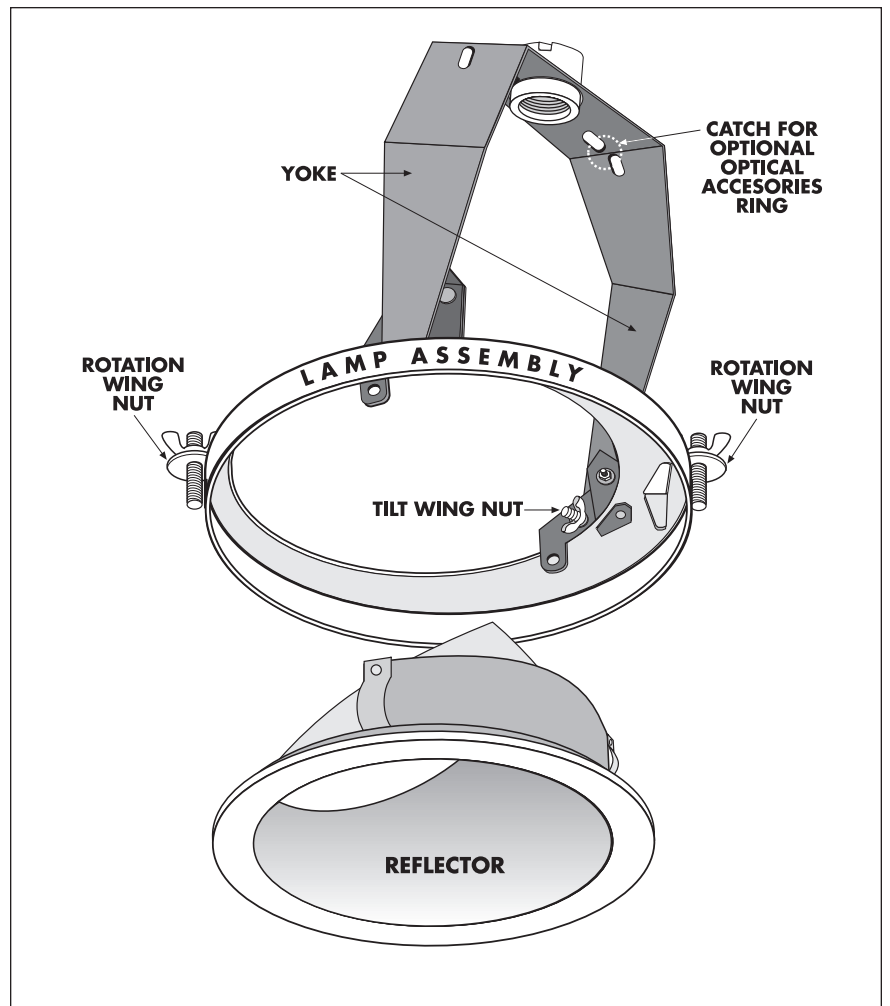
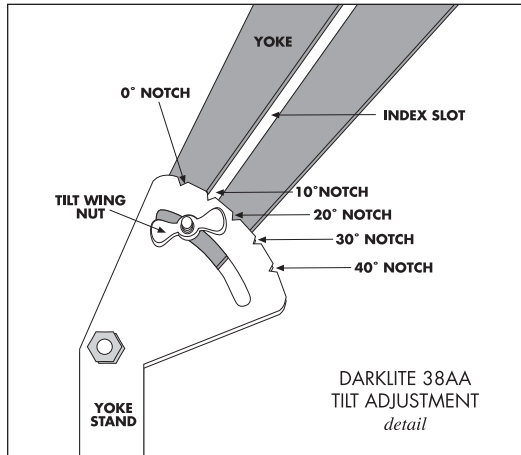
## adjustment

- To adjust **rotation**, loosen the two rotation lock wing nuts and rotate entire lamp assembly by pushing against one of the two arms of the yoke.

To lock rotation, re-tighten the rotation wing nuts.

- To lock **tilt**, tighten the tilt wing nut.

**Darklite 38AA only:** To determine the angle of tilt, check the position of the index slot in the yoke against the top edge of the yoke stand, which is notched at 10° intervals. For example, in the detail below, the yoke is set at 10°.



## reflector installation

After all ceiling installation and finishing work is done, install the reflector.

- Position the reflector within the aperture of the fixture so that the light from the lamp will most directly project through reflector.
- Push reflector, slowly and evenly, into fixture.

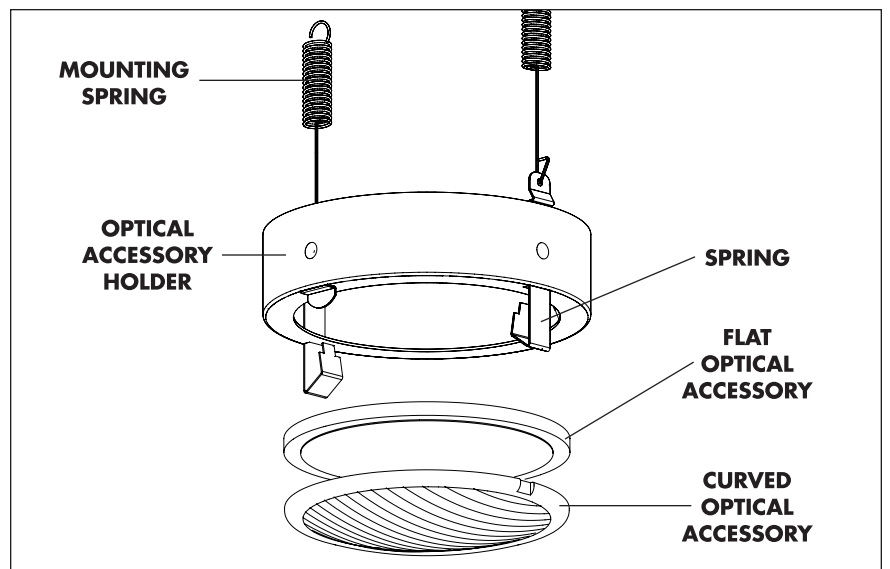
## optical accessories

Optional Edison Price Lighting Optical Accessories are available for use in Darklite AA fixtures. Among these accessories are **curved** lenses and screens and **flat** beam smoothers and color filters. One or two of these accessories may be installed using an optional Optical Accessory Holder.

- Insert the Optical Accessory(ies) into the springs on the underside of an Optical Accessory Holder.

*Note:* If two are to be used, the **flat** accessory must be inserted first.

- Position the Optical Accessory Holder under the lamp face, extend the two mounting springs and secure their looped ends in the two catches in the yoke to either side of the socket.



## reflector maintenance

Reflector may be cleaned of dust with a damp, soft lint-free cloth. To remove fingerprints or dirt, wash with a solution of dishwashing detergent and water, rinse, and dry with a soft lint-free cloth. Avoid wiping when reflector surface is dry.