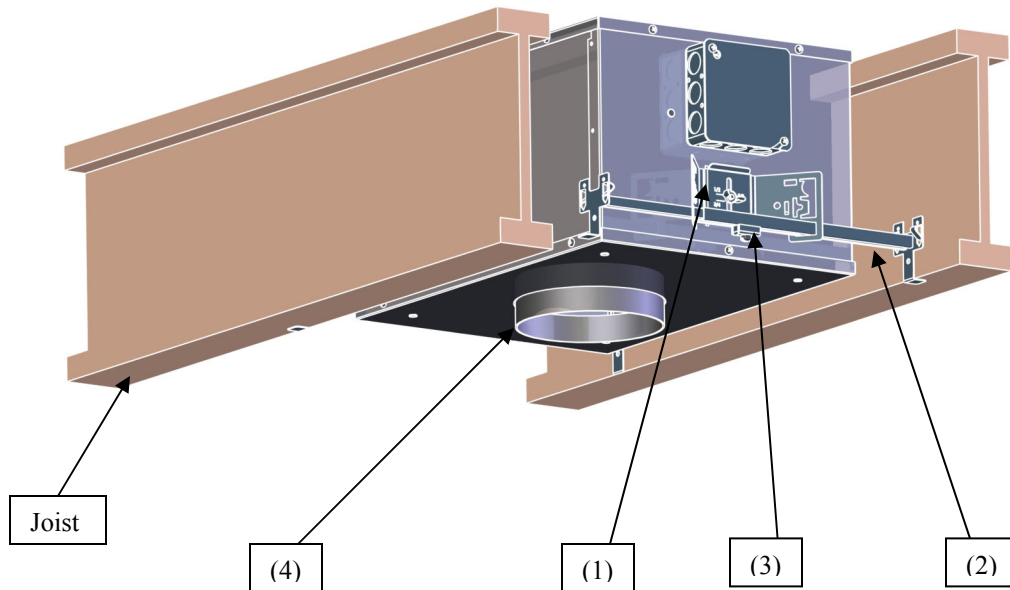


EPIC Installation Instructions



1. Attach mounting brackets (1) on both ends of the housing. Secure with wing nuts at the depth designation marks corresponding to the thickness of the ceiling.
Note: These settings may be to be reset later; see Step 6.
2. Insert both pairs of outer and inner mounting bars (2) through the mounting brackets with the tabs facing downwards.
3. Adjust the length of the mounting bars to be about the distance between the ceiling joists. Secure mounting bars with the screws (3).
4. Adjust the position of the housing relative to the ceiling joists by sliding the mounting bars to either side.
5. Lift fixture into place and nail mounting bars to joists. Adjust the length of the mounting bars if necessary.
6. Loosen the wing nut on the mounting brackets and adjust the height of the fixture so the bottom of the plaster ring (4) will be flush with the bottom of the ceiling.
7. Tighten all screws and wing nuts.

Warning: The depth designation marks on the mounting brackets and mounting bars are approximate. Failure to ensure that the plaster ring is flush with the finished ceiling plane may result in an unsatisfactory appearance and/or operation.

601166-00