

INSTALLATION INSTRUCTIONS

lamp

Remove the optics assembly (fig 1).

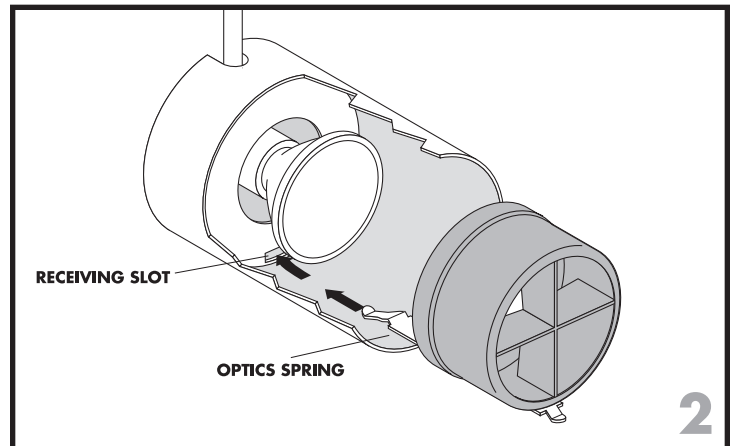
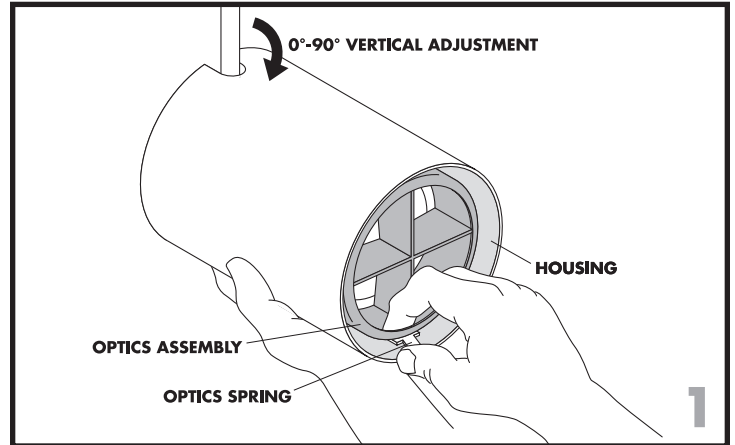
- **Grasp the lip of the optics assembly, as shown.**
- **With a clenching action of the hand, press the assembly against the inside of the housing; then pull it out of the fixture.**

Remove all packing material from the housing interior.

- **Install lamp (by others).**

Replace the optics assembly (fig 2).

- **Align top of optics spring with the receiving slot in the housing. Push assembly upward, guiding the spring along the housing's inner wall until it snaps into the receiving slot.**



installation

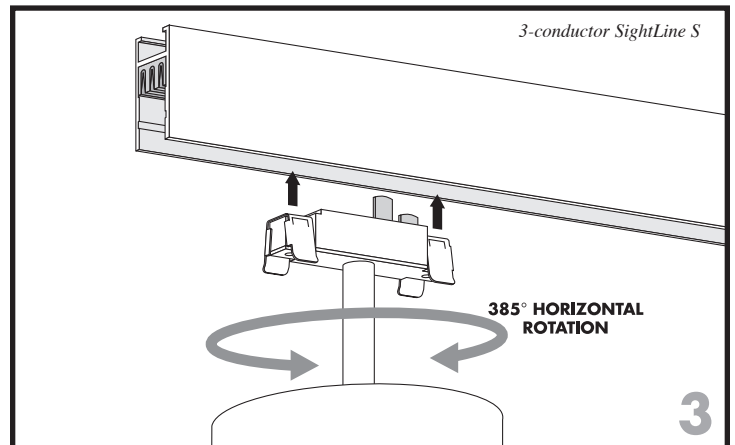
Maxima 30 O and Maxima 38 O fixtures are cULus listed and approved for use with either:

- Edison Price Lighting SightLine®, DoubleLine®, AutoTrak® or UpLine® 3-conductor track capable of two 20-amp, 120-volt circuits, OR
- Edison Price Lighting DoubleLine-50, AutoTrak-50, UpLine-50 or AutoBus-120 2-conductor track capable of a single 50 or 60-amp, 120-volt circuit.

Do not attempt to force 3-conductor fixtures into 2-conductor track – or vice versa. 3-conductor SightLine S is shown in figures 3 and 4.

MOUNTING

- **Turn off power to track.**
- **Align track plug with track (fig 3) and insert upward until both plug springs snap into place. Note: The plug may be inserted as shown, or rotated 180° to change circuit.**



installation (cont'd)

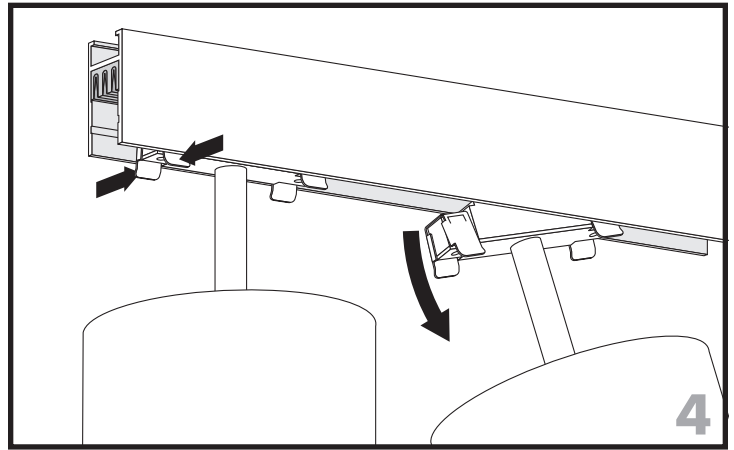
ADJUSTMENT

A concealed swivel between the stem and housing provides 385° horizontal rotation (fig 3) and vertical adjustment from 0° to 90° (fig 1). The swivel is permanently tensioned, allowing fixtures to remain fixed at any aiming angle.

REMOVAL

Relocate fixtures by removing and reinstalling at new location; do not attempt to slide track plugs within the track.

- Turn off power to track.
- Compress one plug spring (fig 4) and pivot the plug downward. Pull plug free of track.
- Restore power.

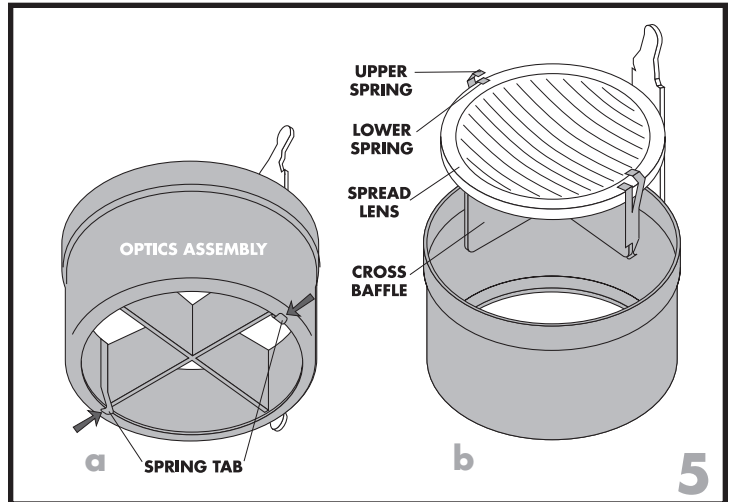


optical accessories

Fixtures accept one or two optional Optical Accessories including spread lenses, color filters, UV filters, beam smoothers and screens.

To change or add accessories, remove the cross baffle from the optics assembly.

- Push the spring tabs first inward, then up, to release and remove the cross baffle (fig 5a).
- Curved accessories (spread lenses or screens) should rest centered on the cross baffle, secured by the two lower springs (fig 5b).
- Flat accessories (color filters, UV filters or beam smoothers) may be installed on top of the curved accessory, secured by the two upper springs. (fig 5b).
- Reassemble the optics by pressing the baffles, with accessories, downward into the ring until the spring tabs snap into place.



maintenance

Clean lens with a non-abrasive window washing product and lint-free towel. To clean housing and optical components, use a detergent suitable for kitchen counters or walls. Do not use abrasive cleansers. Rinse with damp cloth.

outlet box mounting (-OBM)

The outlet box mounted (-OBM) version of this fixture is cUL^{us} listed and should be installed in accordance with the National Electric Code and local regulations. 90°C electrical service wire required.

Mounting plate has screw holes spaced for a 4" outlet box.

- **Splice fixture leads to building wires: black leads to hot wire, white lead to neutral, green lead to ground.**
- **Put wire nuts on splices. Stuff splices into outlet box.**
- **Secure fixture to outlet box with the two screws provided.**

