

# INSTALLATION INSTRUCTIONS

## lamp

### IMPORTANT NOTES CONCERNING PROTECTIVE GLASS:

**Magic Wand MR11** fixtures include a prismatic lens. This lens, or one of the lenses or filters available as accessories for Magic Wand MR11, must be used whenever an open MR11 lamp is used. A glass accessory is not needed for protection if a *cover-glass* MR11 lamp is used.

**Magic Wand MR16 O** fixtures include a prismatic lens. This lens, or one of the other lenses or filters available as accessories for Magic Wand MR16, must be used whenever an open MR16 lamp is used. A glass accessory is not needed for protection if a *cover-glass* MR16 lamp is used.

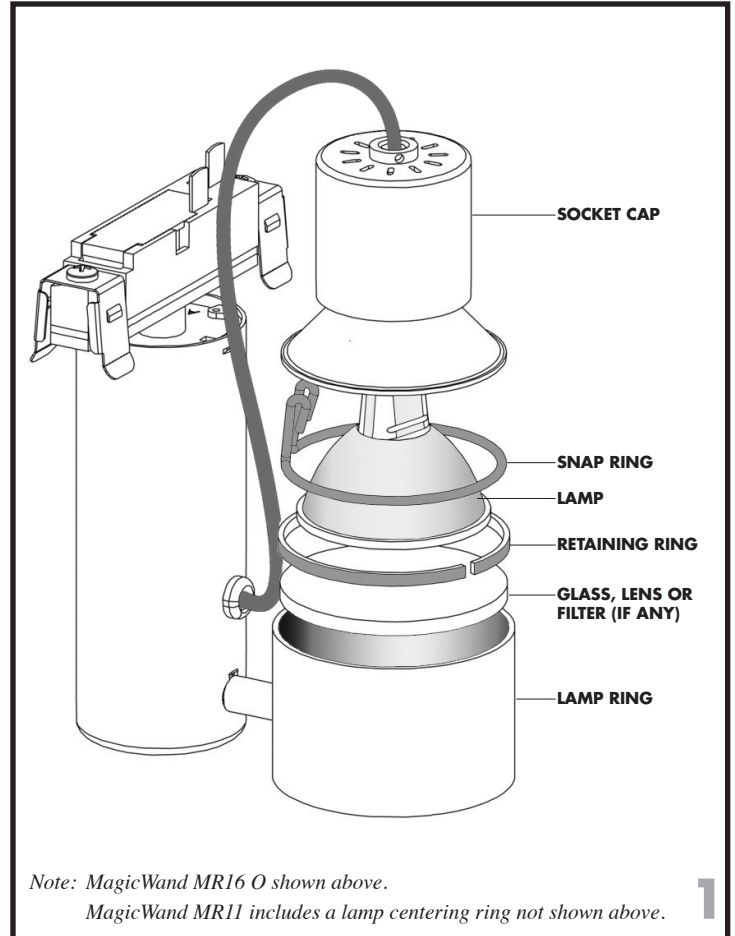
**Magic Wand MR16 W** fixtures include a 40° x 70° spread lens required for proper wallwash performance. This lens also provides protection should an open MR16 lamp be used.

**Magic Wand AR70** fixtures include neither a clear glass nor a lens because AR70 lamps do not require protection.

• **Insert lamp (by others) into socket.**

If a glass accessory is to be used, place it in lamp ring. If a second glass accessory is specified it may be stacked on first.

- **Insert retaining ring into lamp ring (whether a glass accessory is used or not).**
- **Place bottom edge of lamp atop retaining ring.**
- **Compress the snap ring and press it down within lamp ring until it comes to rest atop lamp.**



## installation

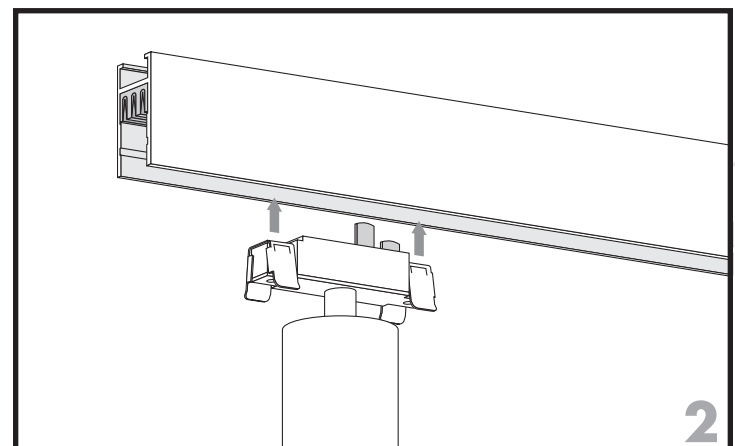
MagicWand fixtures are cUL<sup>us</sup> listed and approved for use with either:

- Edison Price Lighting SightLine®, DoubleLine®, AutoTrak® or UpLine® 3-conductor track capable of two 20-amp, 120-volt circuits, **OR**
- Edison Price Lighting DoubleLine-50, AutoTrak-50, UpLine-50 or AutoBus-120 2-conductor track capable of a single 50 or 60-amp, 120-volt circuit.

Do not attempt to force 3-conductor fixtures into 2-conductor track – or vice versa. 3-conductor SightLine S is shown here.

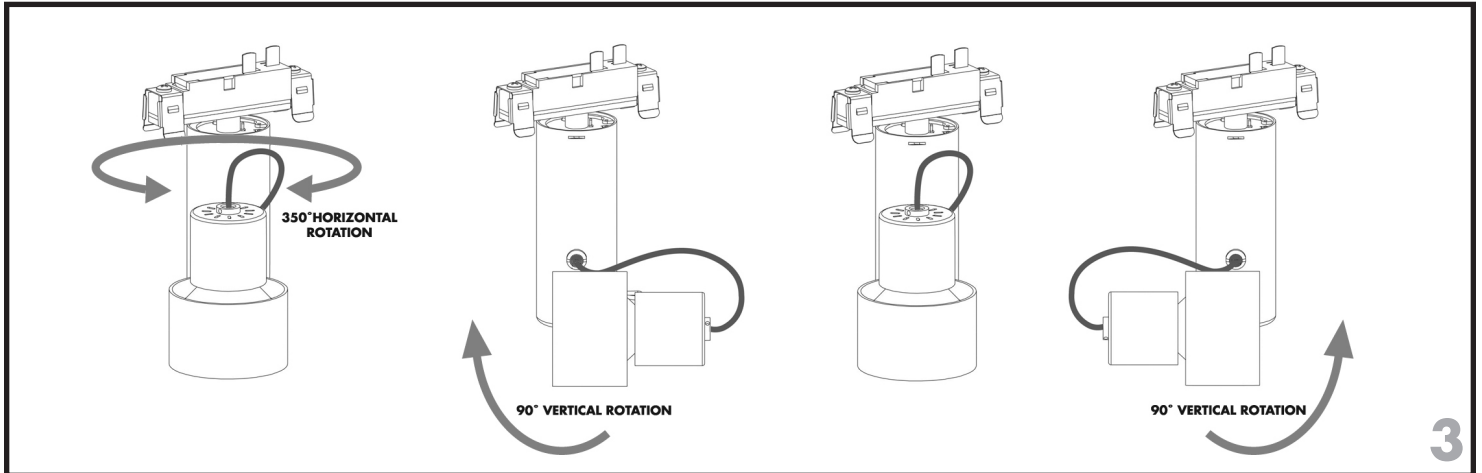
- **Turn off power to track.**
- **Align track adapter with track and insert upward until both plug springs snap into place.**

**NOTE:** With 3-conductor track the adapter may be inserted as shown, or rotated 180° to change circuit.



## adjustment

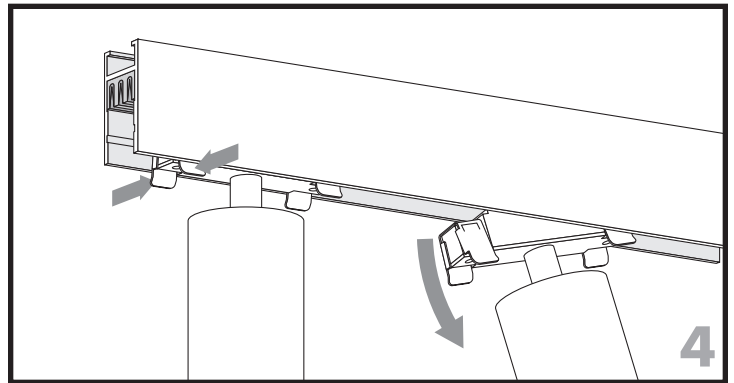
Concealed swivels provide 350° horizontal rotation and 90° vertical adjustment to either side of straight down (fig 3).



## removal

Relocate fixtures by removing and reinstalling at new location; do not attempt to slide track plugs within the track.

- Turn off power to track.
- Compress one plug spring (fig 4) and rotate plug downward. Pull plug free of track.
- Restore power.



## accessories

Edison Price Lighting Optical Accessories - including color filters, spread lenses, Beam Smoothers, UV filters and screens - are available. To change accessories, follow instructions for lamping.

## maintenance

Clean lens with a non-abrasive window washing product and lint-free towel. To clean housing and optical components, use a detergent suitable for kitchen counters or walls. Do not use abrasive cleansers. Rinse with damp cloth.

## outlet box mounting (-OBM)

The outlet box mounted (-OBM) version of this fixture is cUL<sup>us</sup> listed, suitable for use in a fire rated ceiling, and should be installed in accordance with the National Electrical Code and local regulations. Electrical supply wire should be suitable for at least 90°C.

Mounting plate has screw holes spaced for a 4" octagonal outlet box.

- Splice fixture leads to building wires: black leads to hot wire, white lead to neutral, green lead to ground.
- Put wire nuts on splices. Stuff splices into outlet box.
- Secure fixture to outlet box with the two screws provided.

