

# INSTALLATION INSTRUCTIONS

## lamp

Remove the optics assembly (fig 1).

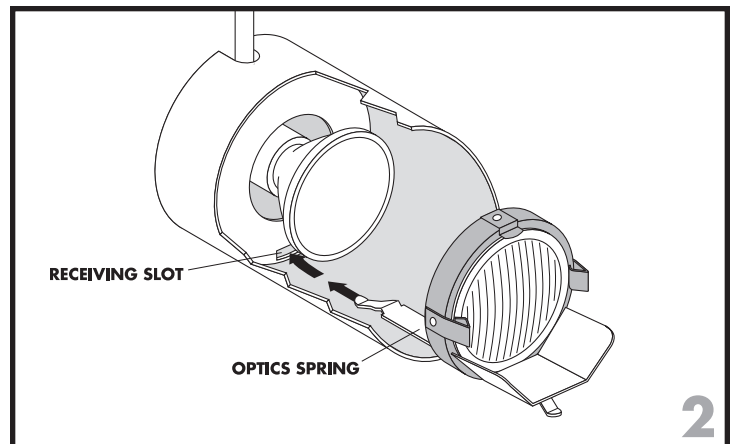
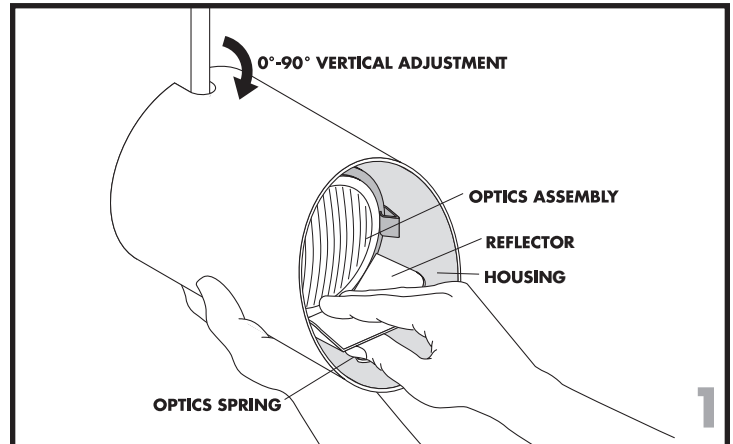
- **Grasp the reflector, as shown.**
- **Press the optics assembly against the inside of the housing; then pull it out of the fixture.**

Remove all packing material from the housing interior.

- **Install lamp (by others).**

Replace the optics assembly (fig 2).

- **Align top of optics spring with the receiving slot in the housing. Push assembly upward, guiding the spring along the housing's inner wall until it snaps into the receiving slot.**



## installation

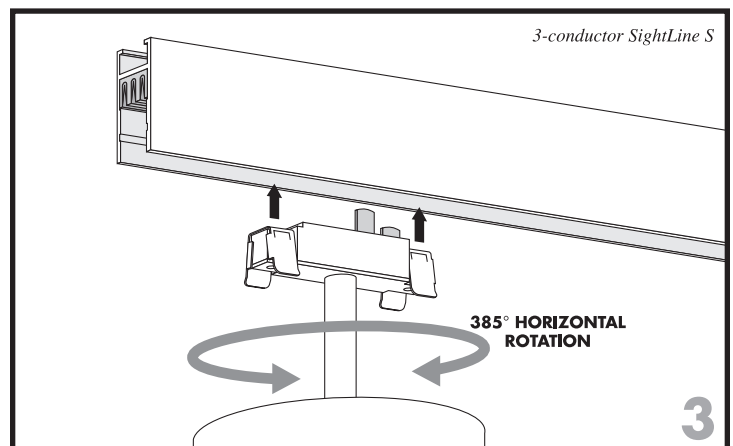
Maxima 30 W and Maxima 38 W fixtures are cULus listed and approved for use with either:

- Edison Price Lighting SightLine®, DoubleLine®, AutoTrak® or UpLine® 3-conductor track capable of two 20-amp, 120-volt circuits, OR
- Edison Price Lighting DoubleLine-50, AutoTrak-50, UpLine-50 or AutoBus-120 2-conductor track capable of a single 50 or 60-amp, 120-volt circuit.

Do not attempt to force 3-conductor fixtures into 2-conductor track – or vice versa. 3-conductor SightLine S is shown in figures 3 and 4.

### MOUNTING

- **Turn off power to track.**
- **Align track plug with track (fig. 3) and insert upward until both plug springs snap into place. Note: The plug may be inserted as shown, or rotated 180°.**
- **Restore power.**



## installation (cont'd)

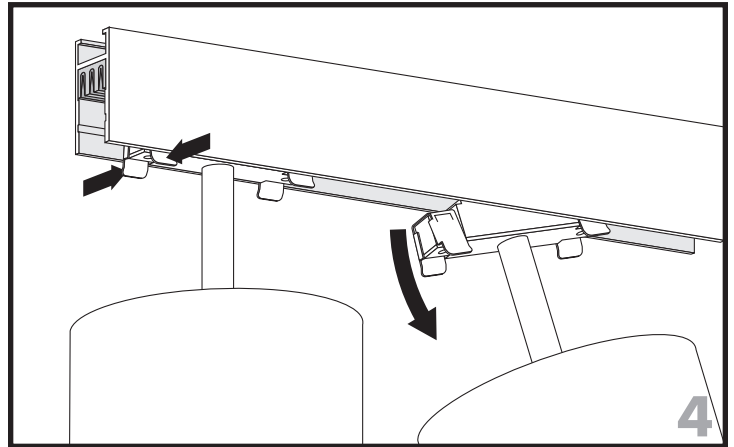
### ADJUSTMENT

A concealed swivel between the stem and housing provides 385° horizontal rotation (fig 3) and vertical adjustment from 0° to 90° (fig 1). The swivel is permanently tensioned, allowing fixtures to remain fixed at any aiming angle.

### REMOVAL

Relocate fixtures by removing and reinstalling at new location; do not attempt to slide track plugs within the track.

- **Turn off power to track.**
- **Compress one plug spring (fig 4) and pivot the plug downward. Pull plug free of track.**
- **Restore power.**

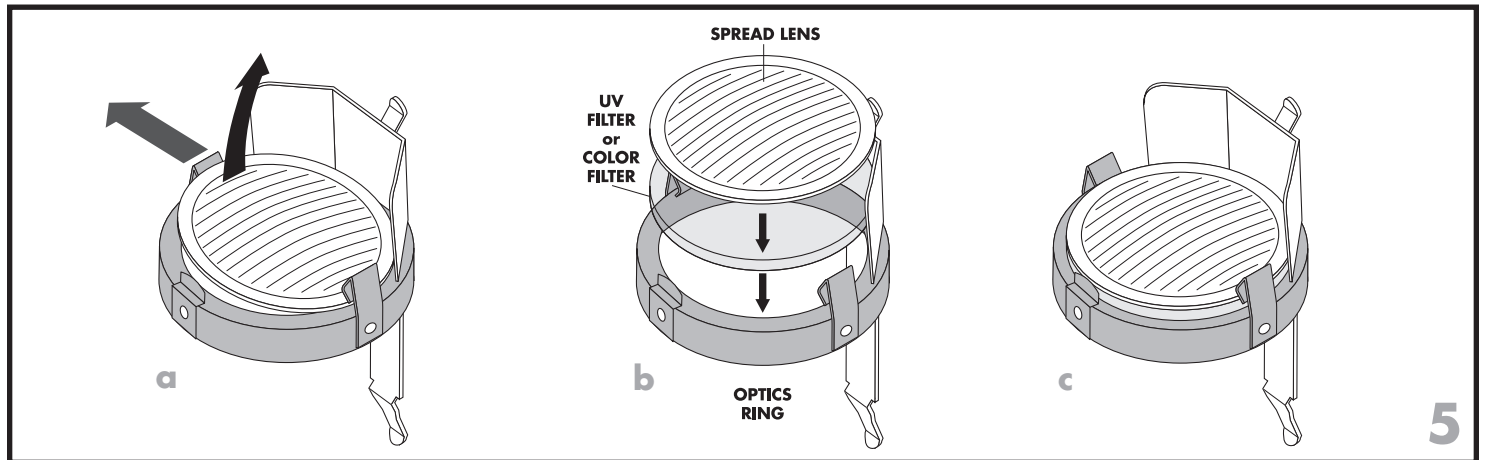


## optical accessories

A 40° x 70° spread lens is included, and may be used alone or in conjunction with either a UV filter or color filter (both optional). The spread lens is required to widen and soften the beamspread for effective wallwash performance.

To change or add accessories, remove the optics assembly as shown in figure 1.


- **Push one spring outward as shown (fig 5a) to release spread lens.**
- **Reassemble the optics with desired accessory placed between optics ring and spread lens (figs 5b and 5c).**



## maintenance

Clean lens and reflector with a non-abrasive window washing product and lint-free towel. To clean housing and optical components, use a detergent suitable for kitchen counters or walls. Do not use abrasive cleansers. Rinse with damp cloth.

## outlet box mounting (-OBM)

The outlet box mounted (-OBM) version of this fixture is  listed and should be installed in accordance with the National Electric Code and local regulations. 90°C electrical service wire required.

Mounting plate has screw holes spaced for a 4" outlet box.

- **Splice fixture leads to building wires: black leads to hot wire, white lead to neutral, green lead to ground.**
- **Put wire nuts on splices. Stuff splices into outlet box.**
- **Secure fixture to outlet box with the two screws provided.**

