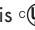


INSTALLATION INSTRUCTIONS

installation: frame

This fixture is  listed, suitable for use in a fire rated ceiling, and should be installed in accordance with the National Electrical Code and local regulations.

WARNING: Do not install ceiling insulation within 3 inches of fixture sides nor above fixture in such a way to entrap heat.

Select a location in the ceiling where the ceiling material is 1 1/8" or less and capable of supporting a weight of 14 pounds along the rim of the hole; and where the recess depth from the finished ceiling line is sufficient:

- 7 3/8" for Presto A's and Presto HAL's with a 4" aperture
- 7 13/16" for Presto A's and Presto HAL's with a 5" aperture
- 9 1/16" for Presto A's and Presto HAL's with a 6" aperture

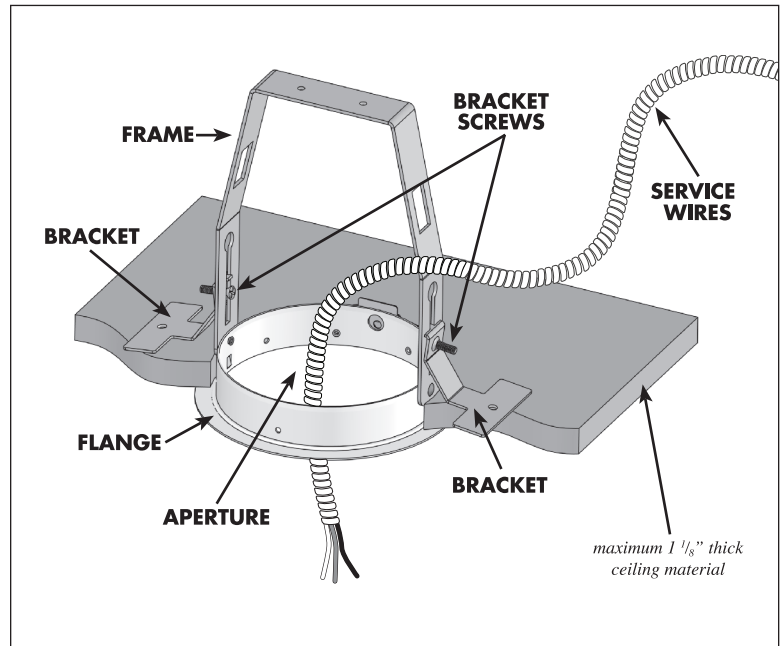
Cut a hole of the appropriate diameter into the ceiling:

- 5 1/8" for Presto A's and Presto HAL's with a 4" aperture
- 6 1/8" for Presto A's and Presto HAL's with a 5" aperture
- 7 1/8" for Presto A's and Presto HAL's with a 6" aperture
- **Disassemble socket housing from frame by pulling down housing until two springs release.**
- **Insert the frame into hole and insert the two brackets into the slots in each arm of the frame.**

Hold the frame up so that the flange makes contact with the underside of the ceiling and, while supporting the frame,

- **push a bracket down its slot until it presses against the top side of the ceiling**
- **tighten the bracket screw.**

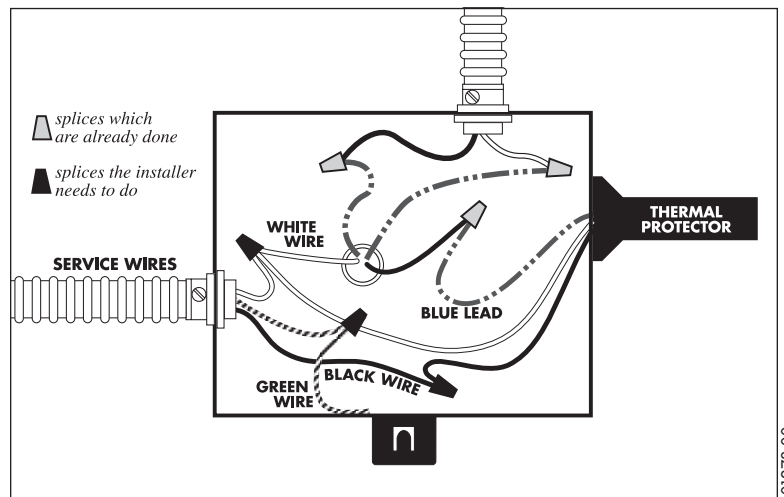
Repeat the process for the second bracket.



wiring

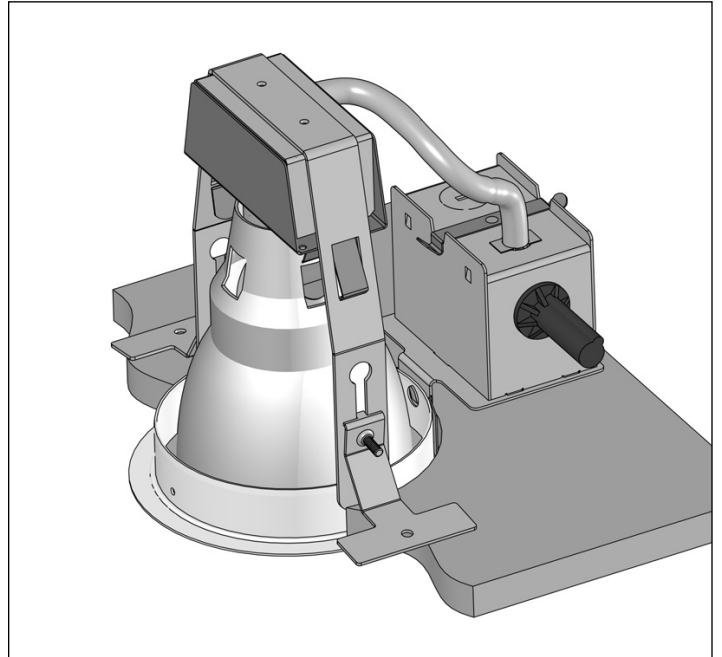
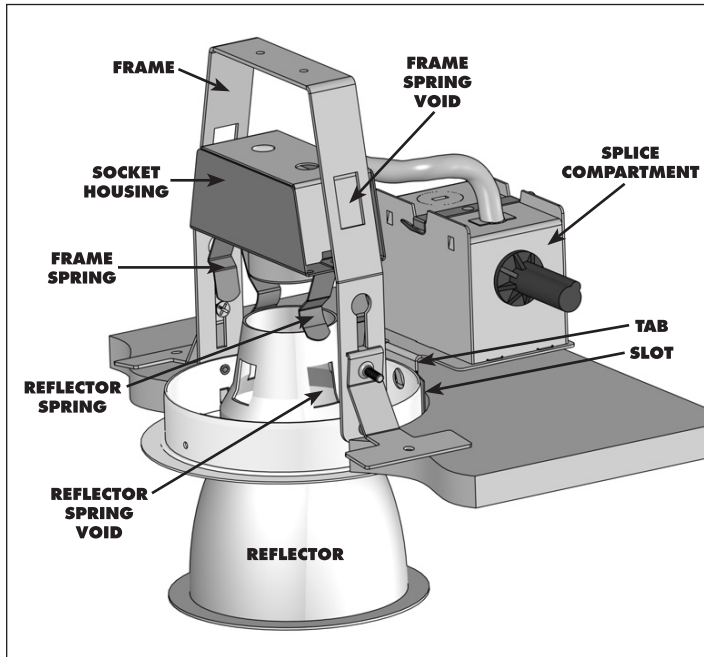
This fixture is  listed and approved for 90°C branch circuit wiring.

- **Pull service wires through frame aperture.**
- **Remove inner cover of the splice compartment by releasing spring.**
- **Splice the black service wire to the black lead.**
- **Splice the white service wire to the set of white leads.**
- **Splice the green service wire to the green lead.**
- **Do not disturb the blue lead splices.**
- **Put wire nuts on all open splices.**
- **Snap junction box cover back into place.**



installation: splice compartment, housing and reflector

- Insert splice compartment through aperture, position it so tab aligns with slot in frame, and lower splice compartment so that tab enters slot and clicks into place.
- Install socket housing into frame. Line up frame springs on socket housing with spring voids in frame, then push socket housing up until springs snap into voids.
- Install reflector into fixture. Line up reflector springs on socket housing with spring voids in reflector, then push reflector up until springs snap into voids.



lamping

Install the proper A or Halogena (HAL) lamp as indicated on the label located inside each reflector. Do not exceed the maximum wattage. Note: If the lamp goes out after a short period of time and relights after cooling, the lamp wattage may be greater than maximum, or insulation may be too close to the fixture.

reflector maintenance

Reflector may be cleaned of dust with a damp, soft lint-free cloth. To remove fingerprints or dirt, wash with a solution of dishwashing detergent and water, rinse, and dry with a soft lint-free cloth. Avoid wiping when reflector surface is dry.