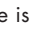


INSTALLATION INSTRUCTIONS

installation: frame

This fixture is  listed, suitable for use in a fire rated ceiling, and should be installed in accordance with the National Electrical Code and local regulations.

WARNING: Do not install ceiling insulation within 3 inches of fixture sides nor above fixture in such a way to entrap heat.

Select a location in the ceiling where

- the ceiling material is 1 1/8" or less and capable of supporting a weight of 14 pounds along the rim of the hole, and
- the recess depth is appropriate for the fixture (see table below).

Cut a hole in the ceiling with a diameter appropriate for the fixture (see table below).

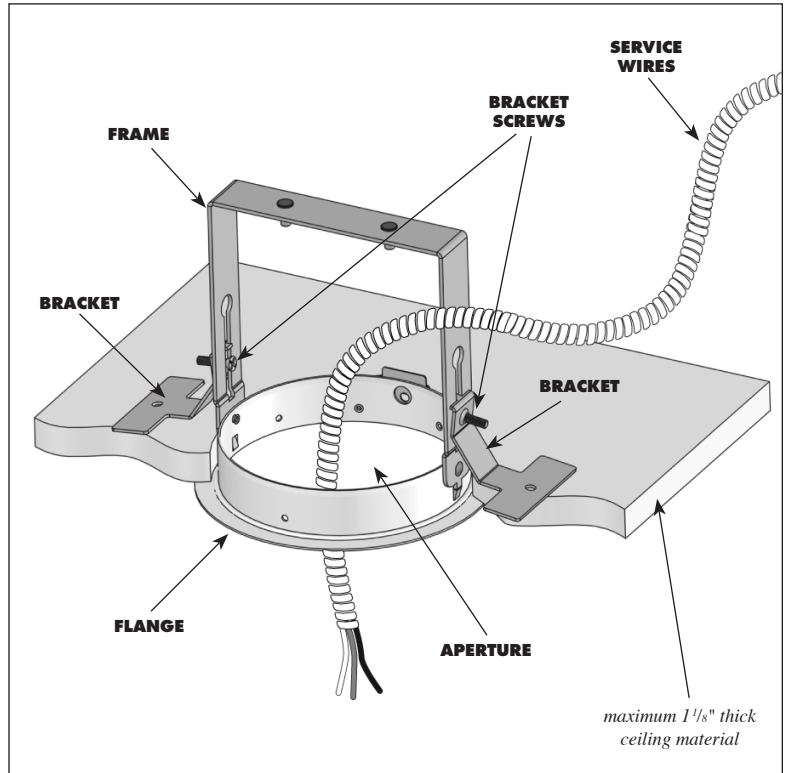
| | Depth | Hole Size |
|---------------|----------|-----------|
| Presto DL20/4 | 7 15/16" | 5 1/8" |
| Presto DL30/5 | 9 3/16" | 6 1/8" |
| Presto DL30/6 | 9 5/8" | 7 1/8" |
| Presto DL38/6 | 11 1/2" | 7 1/8" |

- **Disassemble housing from frame by removing two hex nuts. Save nuts for re-assembly.**
- **Insert the frame into hole and insert the two brackets into the slots in each arm of the frame.**

Hold the frame up so that the flange makes contact with the underside of the ceiling and, while supporting the frame

- **push a bracket down its slot until it presses against the top side of the ceiling**
- **tighten the bracket screw.**

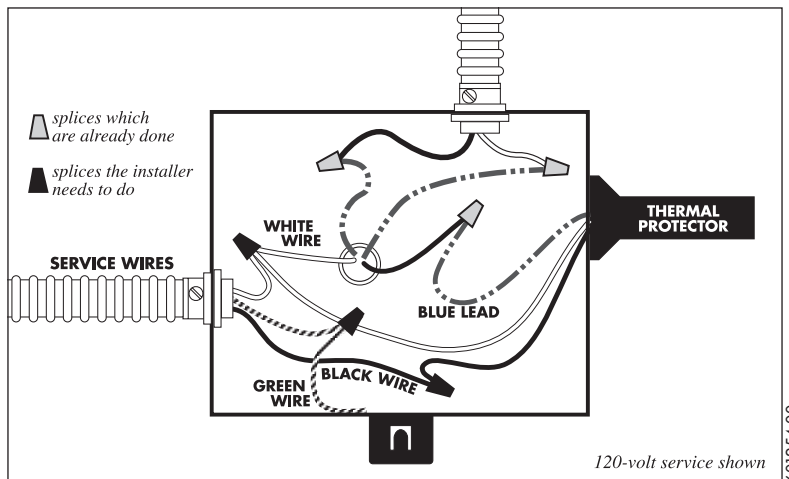
Repeat the process for the second bracket.



wiring

This fixture is  listed and approved for 90°C branch circuit wiring.

- **Pull service wires through frame aperture.**
- **Remove inner cover of the splice compartment by releasing spring.**
- **Splice the black service wire to the black lead.**
- **Splice the white service wire to the set of white leads.**
- **Splice the green service wire to the green lead.**
- **Do not disturb the blue lead splices.**
- **Put wire nuts on all open splices.**
- **Snap junction box cover back into place.**

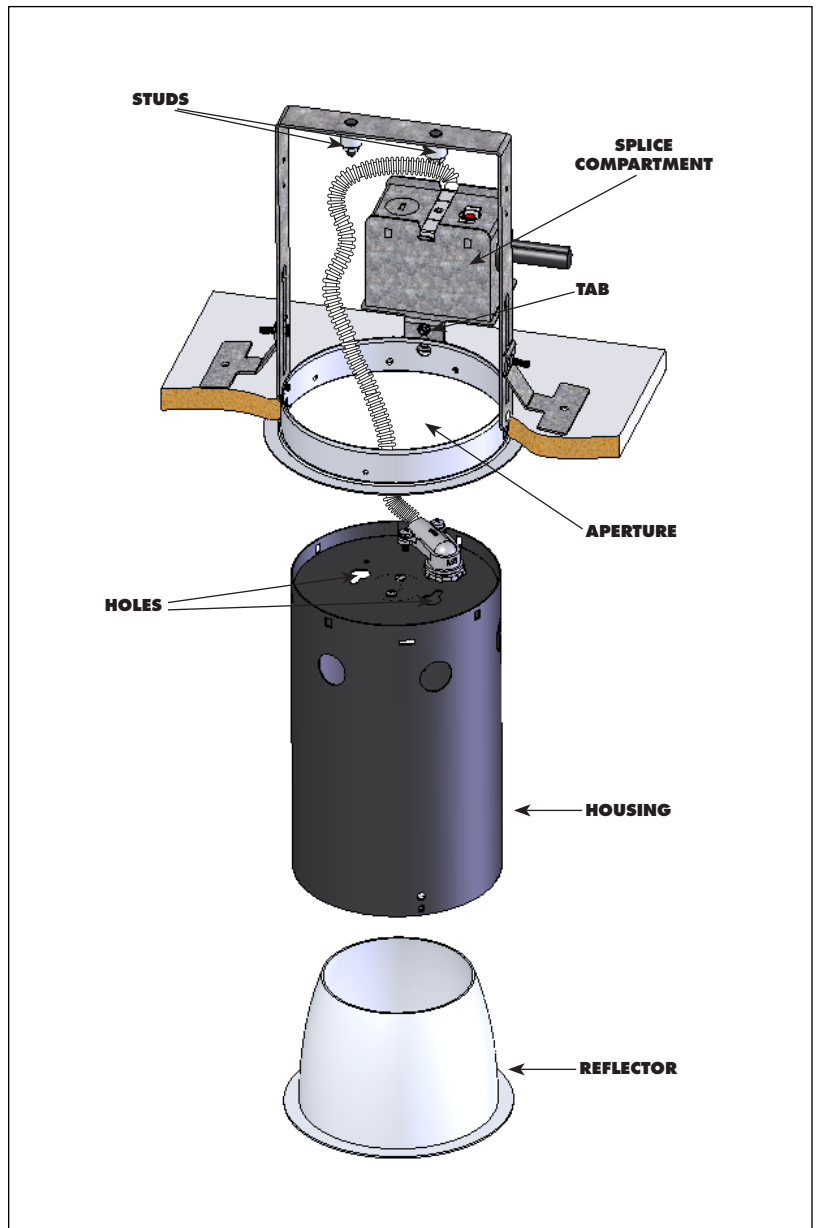
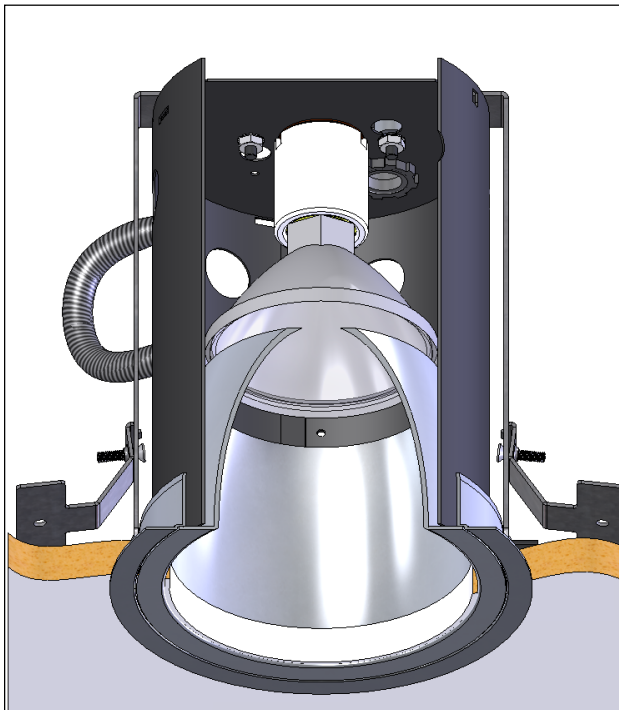


installation: splice compartment, housing and reflector

- **Insert splice compartment through aperture, position it so tab aligns with slot in frame, and lower splice compartment so that tab enters slot and clicks into place.**
- **Insert housing through aperture and position it so that studs in top of the frame pass through holes in the top of the housing.**
- **Tighten hex nuts onto studs.**

After lamping and when the area is clean, install reflector.

- **Push reflector, slowly and evenly, into fixture.**



reflector maintenance

The reflector and the glass accessories may be cleaned of dust with a damp, soft lint-free cloth. To remove fingerprints or dirt, wash with a solution of dishwashing detergent and water, rinse, and dry with a soft lint-free cloth. Avoid wiping when reflector surface is dry.