

INSTALLATION INSTRUCTIONS

lamping

This fixture is designed for use with frosted T-4 quartz lamps (double contact bayonet base), 150 watt maximum. Lamps are not included.

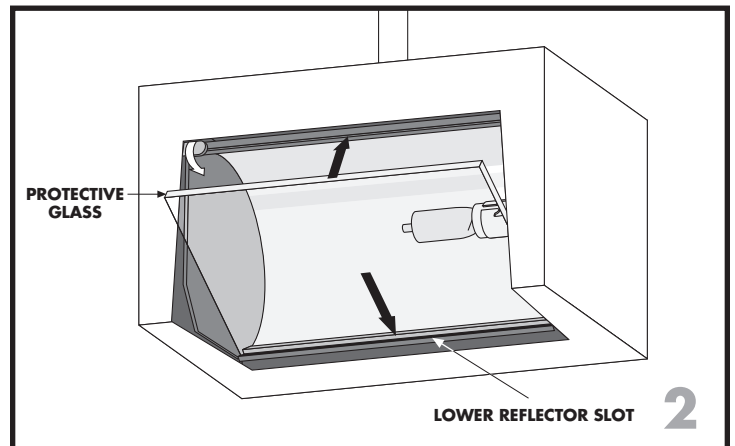
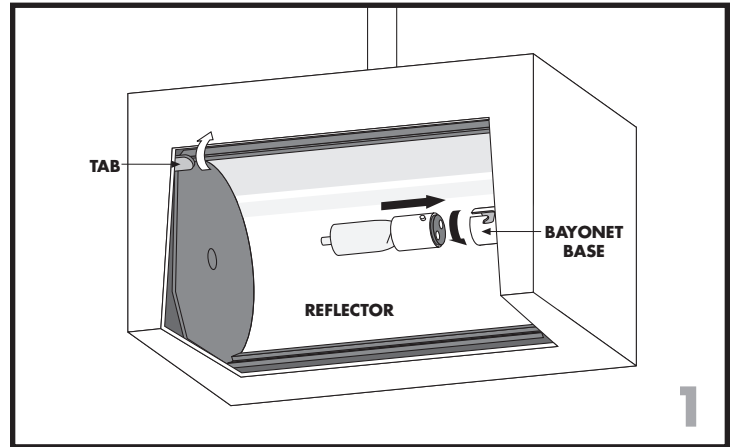
To minimize socket or lamp problems we recommend the use of lamps by GE, Philips, Sylvania or Ushio.

Avoid direct contact between fingertips and quartz lamps during handling.

- **Push lamp into bayonet base and twist as shown (fig 1) until it snaps into place.**
- **Raise tab (fig 1).**

Install protective glass, as required by UL. *Note:* Two optional Optical Accessories may be used in place of the standard protective glass (see reverse side).

- **Place bottom edge of glass into lower reflector slot (fig 2).**
- **Rotate glass upward until top edge rests against corresponding reflector surface, then lower tab to lock glass into place.**



installation

Stacklite 150 fixtures are eULus listed and approved for use with either:

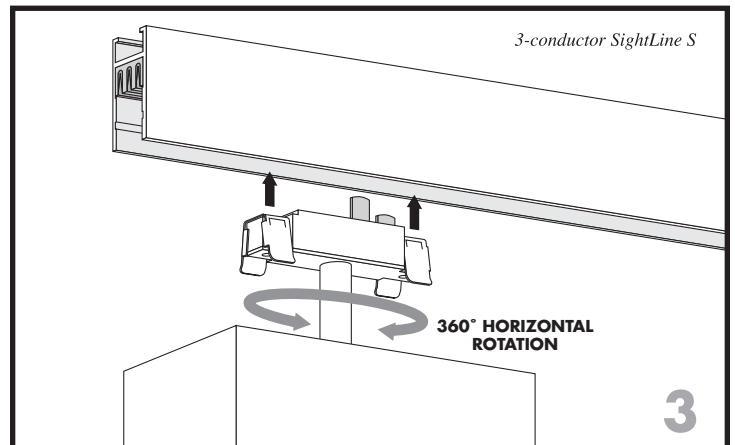
- Edison Price Lighting SightLine®, DoubleLine®, AutoTrak® or Upline® 3-conductor track with two 20-amp, 120-volt circuits, OR
- Edison Price Lighting DoubleLine-50, AutoTrak-50, Upline-50 or AutoBus-120 2-conductor track with a single 50 or 60-amp, 120-volt circuit.

Do not attempt to force 3-conductor fixtures into 2-conductor track – or vice versa. 3-conductor SightLine S is shown in figures 3 and 4.

- **Turn off power to track.**
- **Align track plug with track (fig 3) and insert upward until both plug springs snap into place.**

Note: The plug may be inserted as shown, or rotated 180° to change circuit.

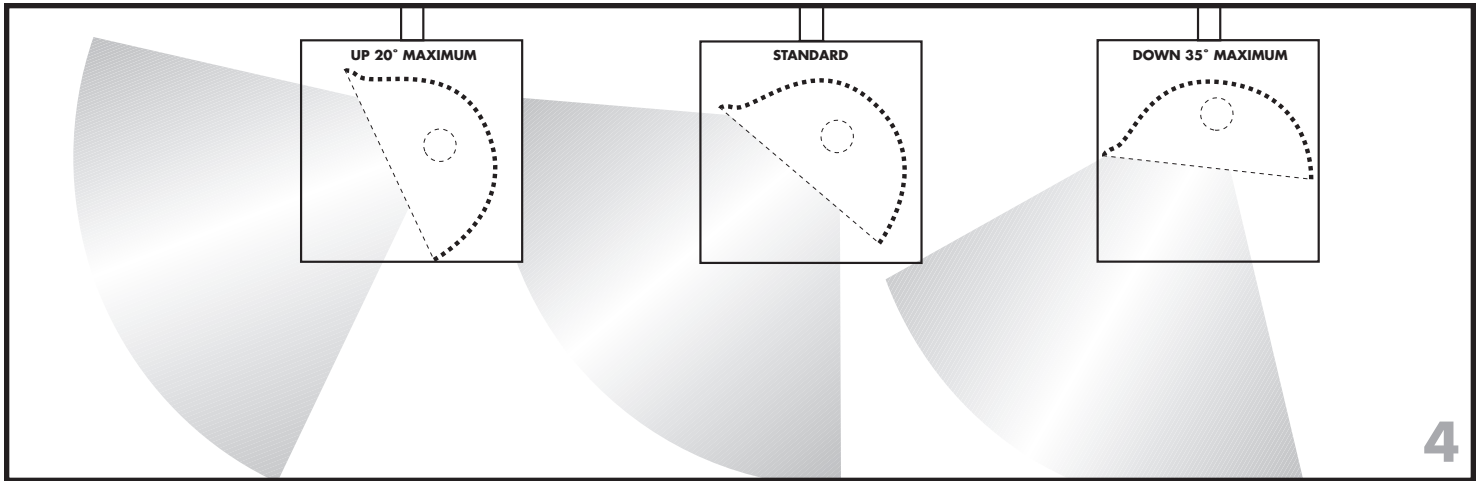
- **Restore power.**



adjustment

A concealed swivel between the stem and housing provides 360° horizontal rotation (fig 3).

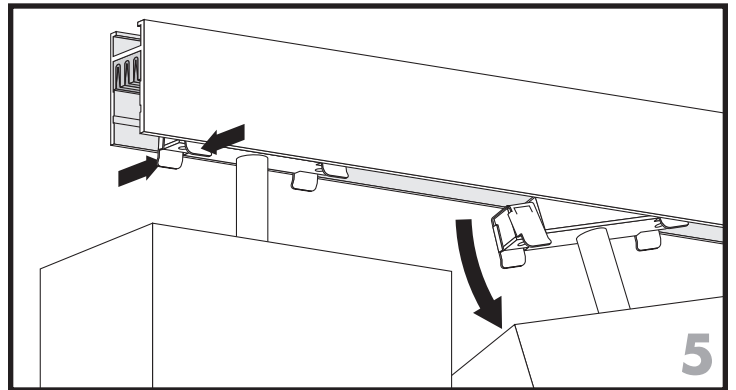
The entire optics assembly pivots vertically within the housing, allowing the wallwash pattern to be adjusted from 20° above to 35° below the standard wallwash position (fig 4). To adjust, allow fixture to cool; then grasp reflector firmly and rotate it as required.



removal

Relocate fixtures by removing and reinstalling at new location; do not attempt to slide track plugs within the track.

- **Turn off power to track.**
- **Compress one plug spring (fig 5) and pivot the plug downward. Pull plug free of track.**
- **Restore power.**



optical accessories

A clear protective glass is included, as required by UL. An interchangeable prismatic lens or UV filter (both optional) may be used in place of the protective glass. To change accessories, follow instructions for lamping (fig 1).

maintenance

Clean lens with a non-abrasive window washing product and lint-free towel. To clean housing and optical components, use a detergent suitable for kitchen counters or walls. Do not use abrasive cleansers. Rinse with damp cloth.

outlet box mounting (-OBM)

The outlet box mounted (-OBM) version of this fixture is ^{UL} listed and should be installed in accordance with the National Electric Code and local regulations. 90°C electrical service wire required.

Mounting plate has screw holes spaced for a 4" outlet box.

- **Splice fixture leads to building wires: black leads to hot wire, white lead to neutral, green lead to ground.**
- **Put wire nuts on splices. Stuff splices into outlet box.**
- **Secure fixture to outlet box with the two screws provided.**

