

INSTALLATION INSTRUCTIONS

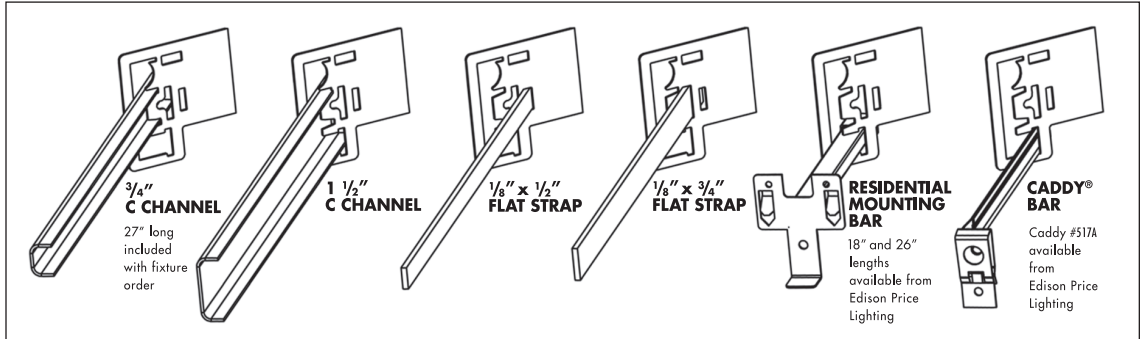
mounting bars

Three kinds of mounting bars may be purchased as accessories from Edison Price Lighting.

Standard mounting bars are 27" long, 3/4" high C channels for use in suspended ceiling systems.

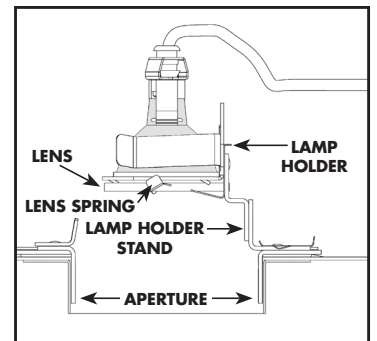
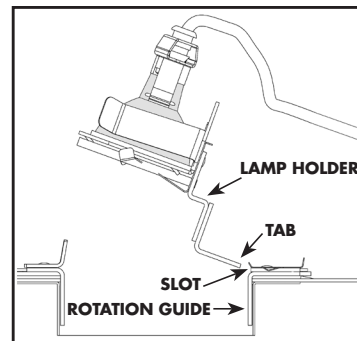
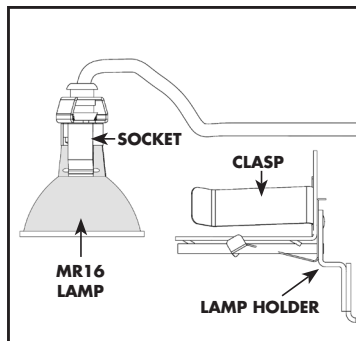
Residential mounting bars are 18" and 26" long telescoping bars for use in wood joist construction.

Caddy #517A bars are 26" long telescoping bars which attach easily to many kinds of suspended T-bar.



lamping

- **Remove lamp holder** from housing by curling finger around edge of the lamp holder stand and pulling lamp holder out of its mounting slot (see reverse side for illustration).
- **Withdraw socket** from housing.
- **Attach lamp** to socket.
- **Slide lamp** into lamp holder clasp.
- **Insert tab** of lamp holder into slot above one of two rotation guides.



Note: A Solite prismatic lens is included with THREE-MR-DL only.

installation

This fixture is listed, suitable for use in a fire rated ceiling, and should be installed in accordance with the National Electrical Code and local regulations.

- **Insert mounting bars through to the adjustable mounting brackets on either side of the fixture.**

This fixture can be attached to ceiling runners which are positioned no less than 1" and no more than 3 7/16" above the finished ceiling surface.

- **Position the fixture so that its mounting bars lie on top of the ceiling runners.**
- **When the fixture is correctly located, fasten the mounting bars securely to the ceiling runners.**
- **Adjust the fixture to the proper height by loosening the wing nuts on both adjustable brackets and setting the fixture so that the bottom edge of the circular plaster ring will be flush with the surface of the finished ceiling. Tighten the wing nuts.**

WARNING: Do not install ceiling insulation within 3 inches of fixture sides nor above fixture in such a way to entrap heat.

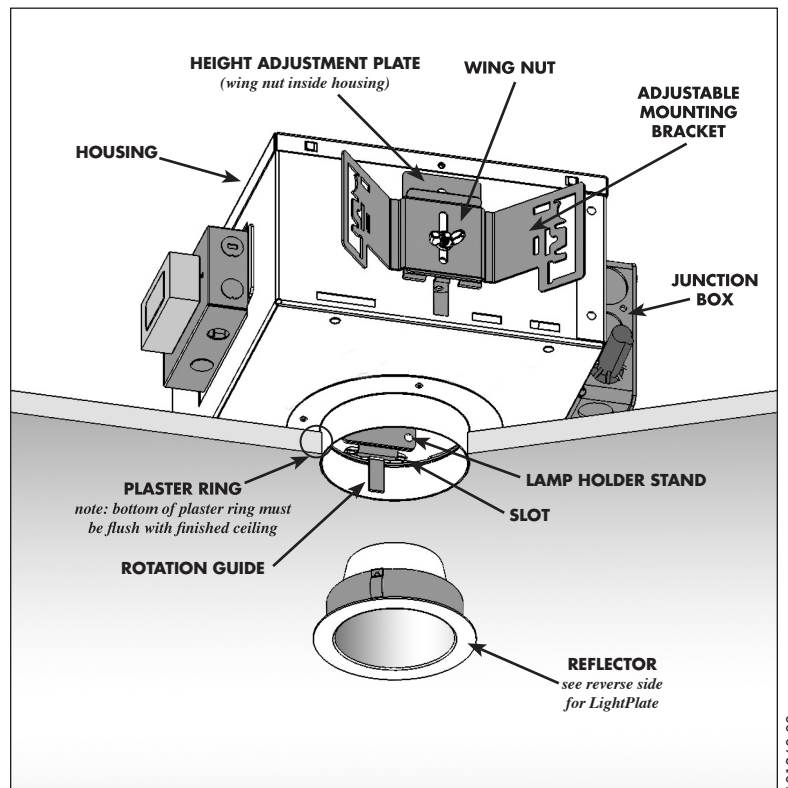
- **Wire the fixture following the instructions on the reverse.**

After all ceiling installation and finishing work is complete, install reflector.

- **Push reflector, slowly and evenly, into fixture.**

If reflector does not fit correctly because plaster ring is not flush with finished ceiling as shown, housing may be lowered in height.

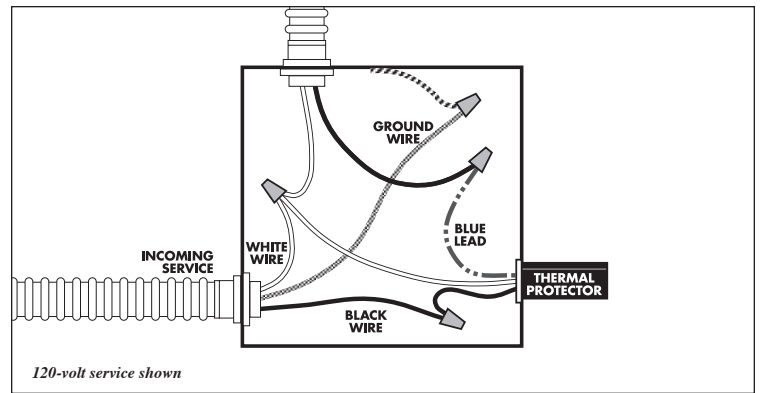
- **Locate two wing nuts on opposing inside walls of housing.**
- **Loosen nuts; pull housing down until plaster ring is flush.**
- **Tighten wing nuts.**



wiring

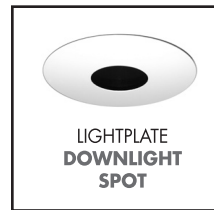
This fixture is ^{UL} listed and approved for ten #12 wire 90°C branch circuit pull-through wiring.

- Remove the outer cover of the junction box by releasing the spring clip on the top of the box.
- Splice the incoming black wire to the black lead.
- Splice the incoming white wire to the set of white leads.
- Splice the incoming green ground wire to the bare copper wire attached to the inside of the junction box.
- Do not disturb the blue lead splice.
- Put wire nuts on all open splices.
- Snap junction box cover back into place.



LightPlate

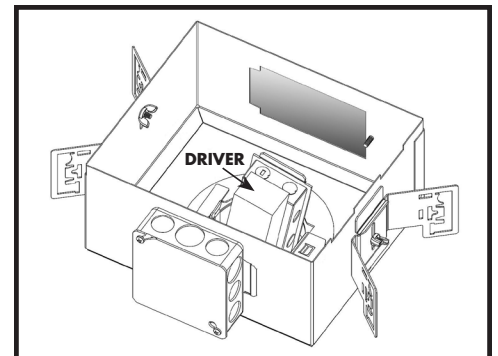
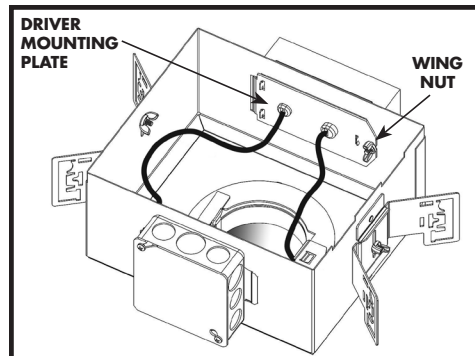
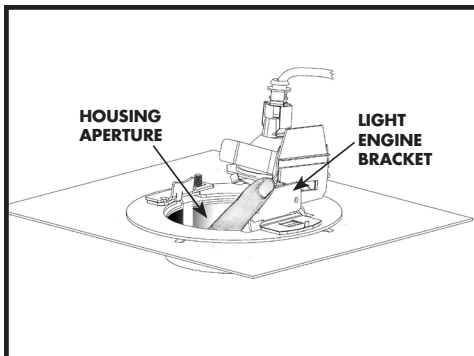
A LightPlate decorative trim may be used instead of a reflector and is installed in the same way as a reflector (see reverse side).



servicing

To gain access to the transformer or ballast through the fixture aperture:

- Remove the reflector by pulling straight down.
- Remove the lamp holder by curling a finger around the edge of the lamp holder stand and pulling lamp holder out of its mounting slot.
- Slide lamp out of lamp holder and detach from socket. Save lamp and lamp holder.
- Remove the wing nut from the transformer/ballast mounting plate and pull the plate into housing.
- Angle the transformer/ballast out of housing aperture.



reflector maintenance

The reflector may be cleaned of dust with a damp, soft lint-free cloth. To remove fingerprints or dirt, wash with a solution of dishwashing detergent and water, rinse, and dry with a soft lint-free cloth. Avoid wiping when reflector surface is dry.