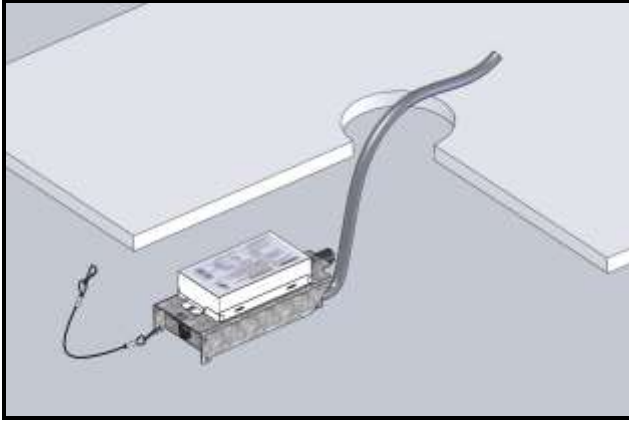


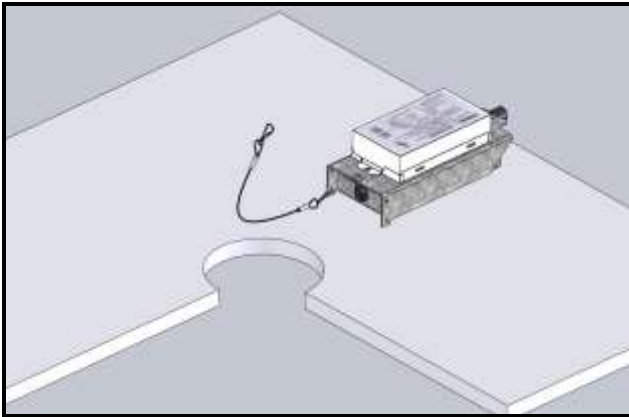
## INSTALLATION AND ADJUSTMENT INSTRUCTIONS: *PRESTO THREE LED*

### STEP 1



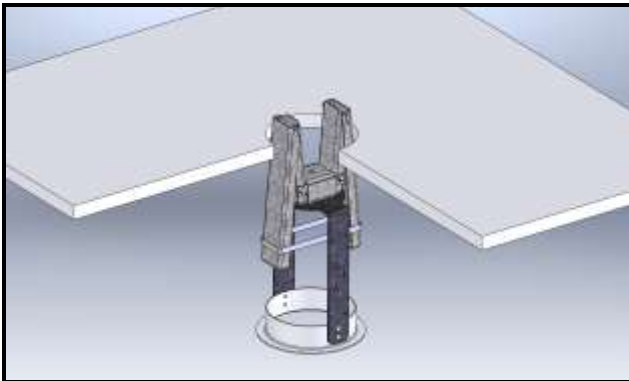
Open splice box and connect supply wires. Close box. Pass conduit and junction box through ceiling hole.

### STEP 2



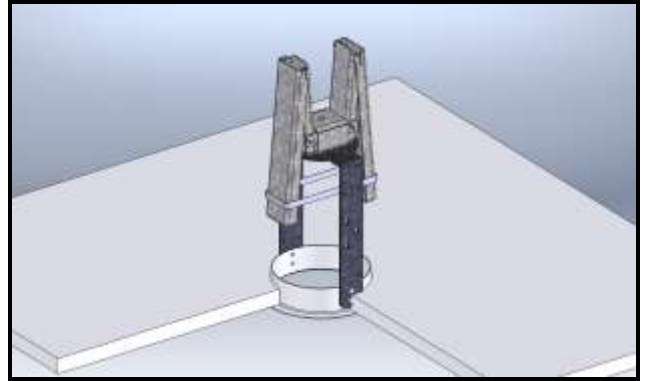
Once junction box is completely through ceiling hole, set aside as it will be used later in the installation process.

### STEP 3



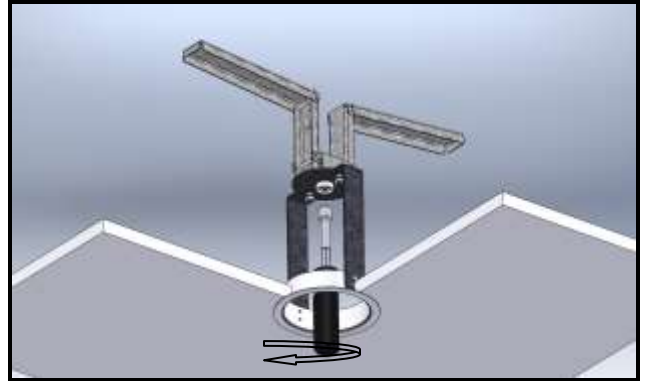
Insert the fixture frame into ceiling hole.

### STEP 4



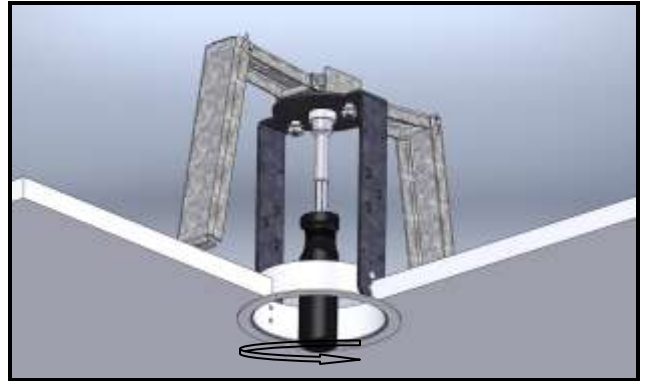
Once the fixture frame is up against the ceiling, remove rubber band from the fixtures legs.

### STEP 5



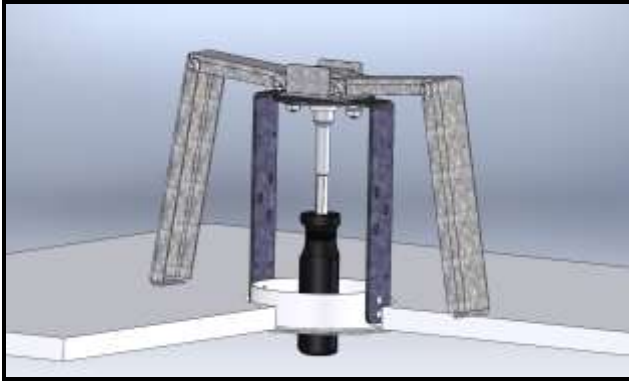
When the rubber band is removed, the legs will extend as shown. Loosen the center nut until the legs drop and rest on the upper side of the ceiling.

### STEP 6



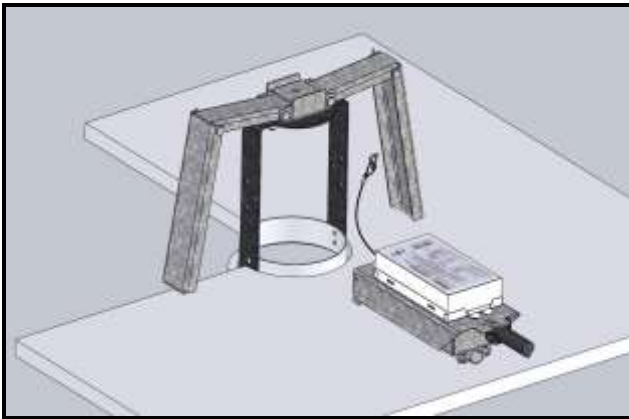
Once the legs are resting on the ceiling, re-tighten the center nut until the fixture is held tight against the ceiling. Do not over tighten to avoid yoke flexing.

STEP 7



Adjust position of supporting legs and rotate fixture frame if necessary to make it parallel to lighted object (for AA) or lighted wall (for WL).

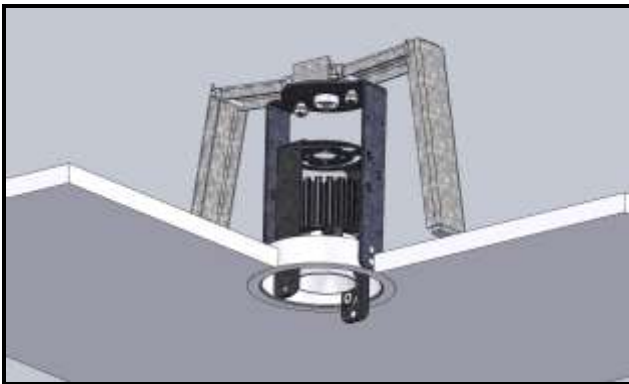
STEP 8



Adjust location of splice box. Connect lanyard, attached to splice box, to fixture's frame yoke.

### Installation of an Adjustable Angle insert (AA)

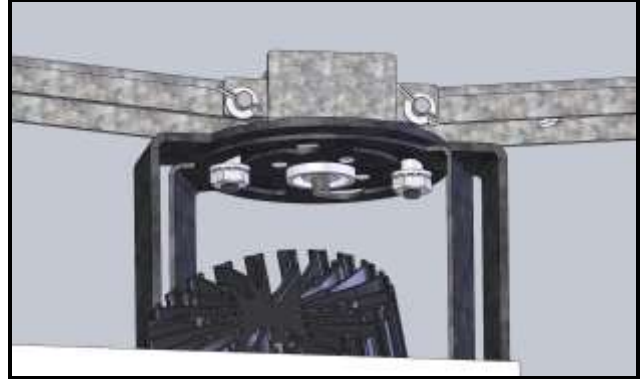
STEP 1



Connect cable from splice box to LED module.  
Connect ground wire from splice box to LED module.  
Do not

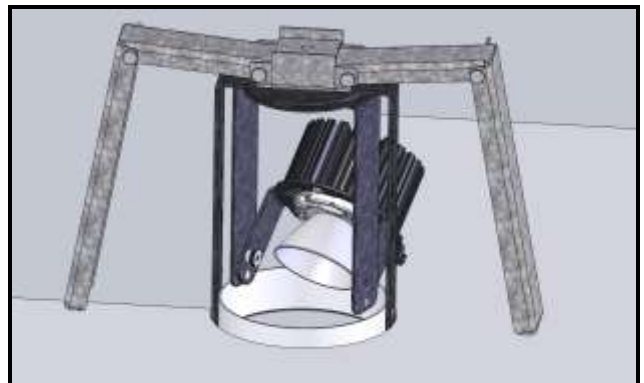
connect LED while power is on. Connect the safety chain to LED module. Now insert the LED module up through the ceiling hole.

STEP 2



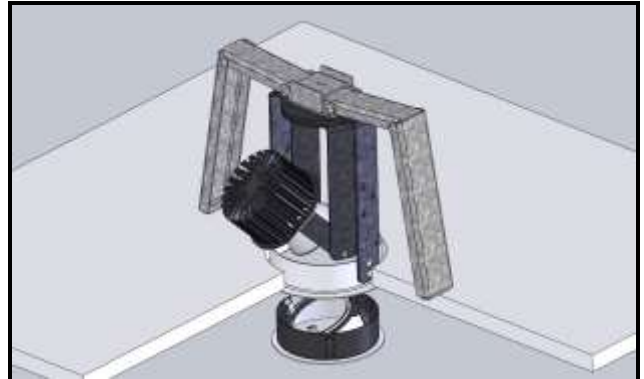
Insert frame spacers into the key holes on the LED insert. Push insert up and rotate 90°.

STEP 3



Make horizontal and angular adjustment. Lock angular adjustment by tightening thumb nut.

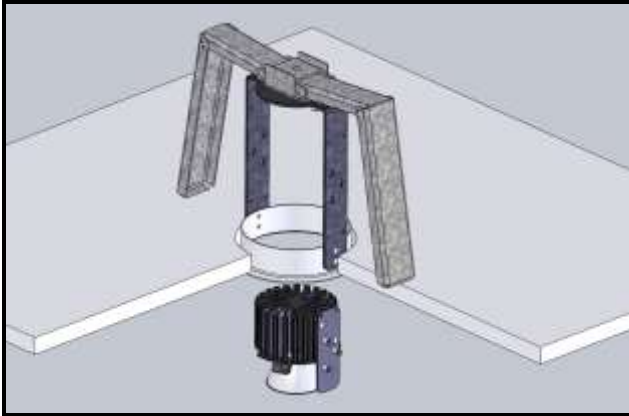
STEP 4



Insert the reflector through the ceiling hole, align it with LED and push it up until it sits flush inside CF ring.

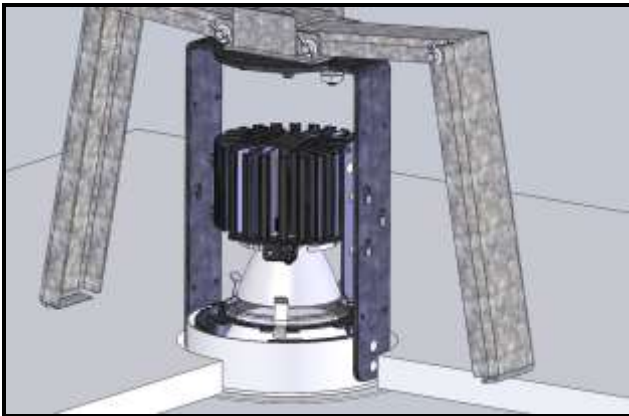
## Installation of Downlight insert (DL)

STEP 1



Connect cable from splice box to LED module. Connect ground wire from splice box to LED module. Do not connect LED while power is on. Connect the safety chain to LED module. Now insert the LED module up through the ceiling hole.

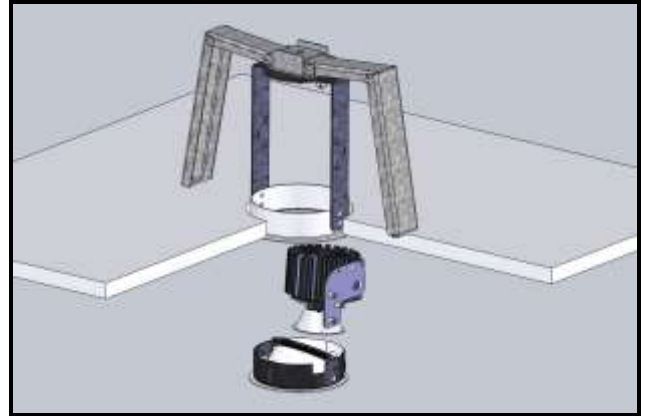
STEP 2



Slide the LED module into the key holes on the side of the frame. Insert the reflector through the ceiling hole and push it until it sits flush inside CF ring.

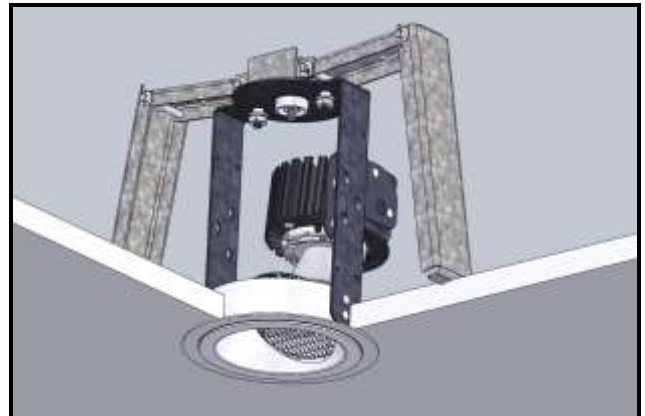
## Installation of Wallwasher insert (WL)

STEP 1



Connect cable from splice box to LED module. Connect ground wire from splice box to LED module. Do not connect LED while power is on. Connect the safety chain to LED module. Now insert the LED module up through the ceiling hole.

STEP 2



Slide the LED module into the key holes on the side of the frame. Insert the reflector through the ceiling hole and push it up until it sits flush inside CF ring.