

INSTALLATION INSTRUCTIONS

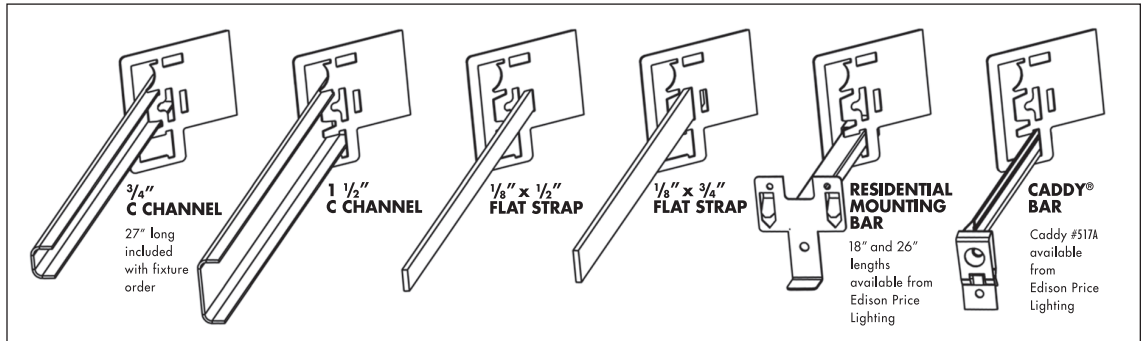
mounting bars

Three kinds of mounting bars may be purchased as accessories from Edison Price Lighting.

Standard mounting bars are 27" long, 3/4" high C channels for use in suspended ceiling systems.

Residential mounting bars are 18" and 26" long telescoping bars for use in wood joist construction.

Caddy #517A bars are 26" long telescoping bars which attach easily to many kinds of suspended T-bar.



installation

This luminaire is listed, suitable for use in a fire rated ceiling, and should be installed in accordance with the National Electrical Code and local regulations.

- Insert mounting bars through to the adjustable mounting brackets on either side of the luminaire.

This luminaire can be attached to ceiling runners which are positioned no less than 1" and no more than 3 7/16" above the finished ceiling surface.

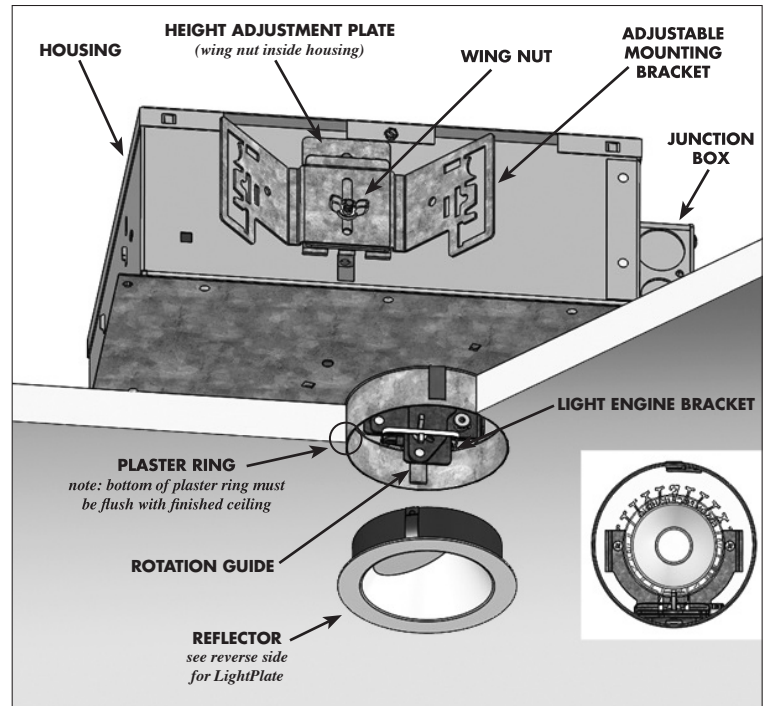
- Position the luminaire so that its mounting bars lie on top of the ceiling runners.
- When the luminaire is correctly located, fasten the mounting bars securely to the ceiling runners.
- Adjust the luminaire to the proper height by loosening the wing nuts on both adjustable brackets and setting the luminaire so that the bottom edge of the circular plaster ring will be flush with the surface of the finished ceiling. Tighten the wing nuts.

NOTE: Space luminaires with 1300 lumen light engines no closer than 30" OC, no closer to walls than 15" and with at least 1/2" clearance above.

- Wire the luminaire following the instructions on the reverse.

After all ceiling installation and finishing work is complete.

- Snip and remove the plastic wire tie securing the LED engine.
- Install Optical Accessories, if any.
- Adjust (focus) the light engine assembly as described on the reverse.
- Line up reflector side notch with lamp holder stand.
- Push reflector, slowly and evenly, into luminaire.



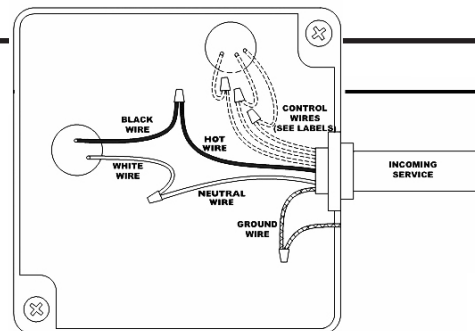
If reflector does not fit correctly because plaster ring is not flush with finished ceiling as shown, housing may be lowered in height.

- Locate two wing nuts on opposing inside walls of housing.
- Loosen nuts; pull housing down until plaster ring is flush.
- Tighten wing nuts.

wiring

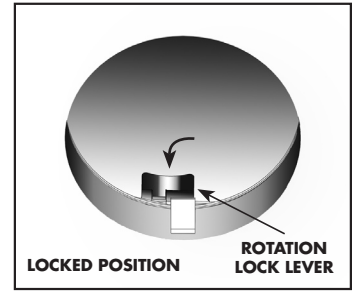
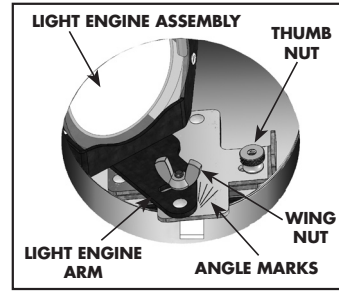
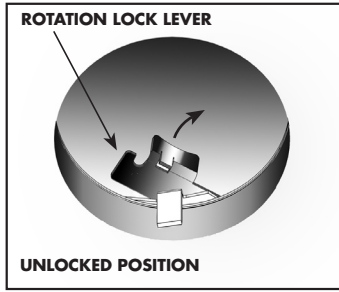
NOTE: This fixture is not approved for branch circuit pull through wiring.

- Remove outer cover of junction box by unscrewing two screws on junction box cover.
- Splice incoming hot wire to the black lead. Splice the incoming neutral wire to the white lead. Check the splice on the two green leads.
- Splice the control wires depending upon the type of dimming (See labels on the control wires)
- Put wire nuts on all open splices
- Screw junction box cover back into place.



adjustment

WARNING!
DO NOT 'HOTWIRE'
Shut off power to luminaire's circuit before this procedure.



- **Rotation:** Unlock rotation by placing a fingertip on top of rotation lock lever and pulling in toward center of luminaire aperture. Adjust rotation by grasping light engine assembly and pushing it gently around aperture. Lock rotation by pushing rotation lock lever back into original position.
- **Tilt:** Unlock tilt by loosening wing nut on light engine arm. Adjust tilt by grasping light engine assembly and tilting it as required. Note the angle marks: each mark equals 10° tilt. Lock tilt by tightening wing nut. **Note:** L-Bend Bracket should be at the left position for tilting. If it is at right position, loosen the thumb nut and shift L-Bend Bracket to the left position. Then, lock the position again.
- **Adjustment for downlighting:** Loosen the thumb nut. Move the light engine to the center of the aperture as follows. Shift the light engine assembly to the right by grasping the tab and shifting it to the right. Tilt the light engine assembly to 0°. Tighten the thumb nut.

Retrofit: adjust vertical position of luminaire after installation

WARNING!
DO NOT 'HOTWIRE'
Shut off power to luminaire's circuit before this procedure.

- Loosen both housing adjustment wing nuts (one on each side of housing)
- Adjust housing as required. Push up on top to raise or pull down on baseplate to lower.
- Re-tighten wing nuts.

LightPlates

A LightPlate decorative trim may be used instead of a reflector.

LightPlates are installed in the same way as a reflector (see reverse side).



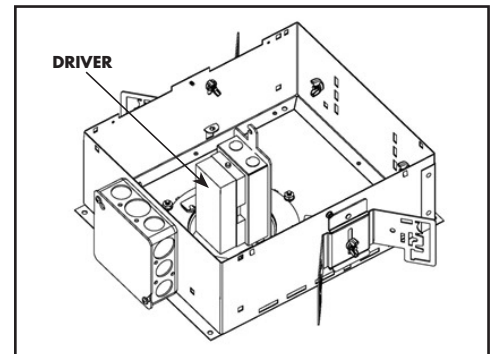
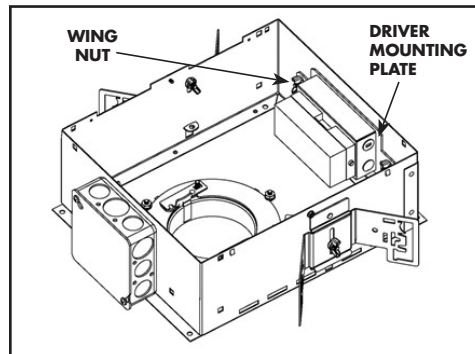
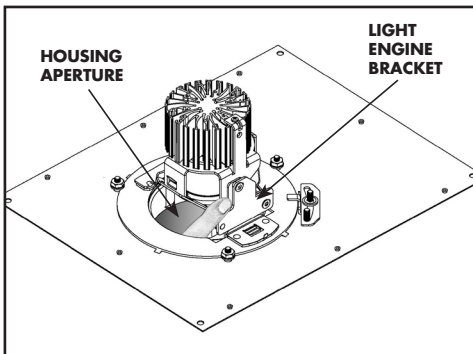
servicing

WARNING!
DO NOT 'HOTWIRE' LIGHT ENGINE.
To prevent damage to light engine, disconnect and re-connect only with electricity off.

To gain access to the driver through the luminaire aperture:

- **Remove the reflector by pulling straight down.**
- **Remove the light engine assembly by curling a fingertip around the edge of the light engine bracket and pulling it out of its mounting slot.**
- **Detach the lead from the light engine assembly.**
- **Remove the wing nut from the driver mounting plate and pull the plate and driver into housing.**
- **Angle the driver out of the housing aperture.**

Reverse procedure to install new driver.



reflector maintenance

The reflector may be cleaned of dust with a damp, soft lint-free cloth. To remove fingerprints or dirt, wash with a solution of dishwashing detergent and water, rinse, and dry with a soft lint-free cloth. Avoid wiping when reflector surface is dry.