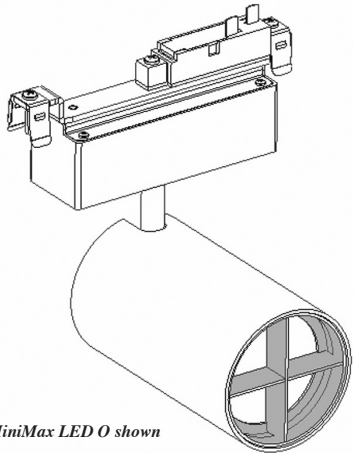


# INSTALLATION INSTRUCTIONS



MiniMax LED O shown

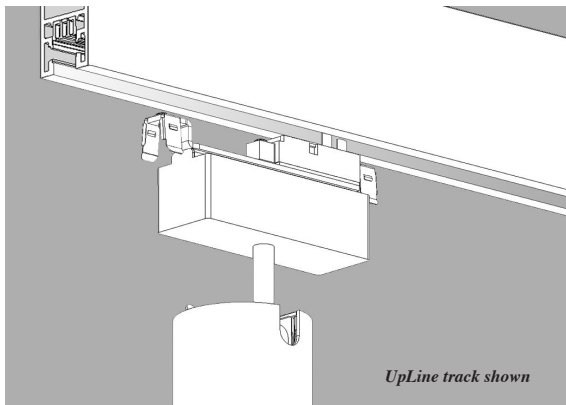
MiniMax LED fixtures are listed and approved for use with either:

- Edison Price Lighting SightLine®, DoubleLine® or UpLine® 3-conductor track capable of one or two 20-amp, 120-volt circuits, OR
- Edison Price Lighting HighLine® 2-conductor track capable of a single 20-amp, 277-volt circuit.

## mounting

- Align track plug with track and insert upward until both plug springs snap into place.
- Check fixture on/off switch.

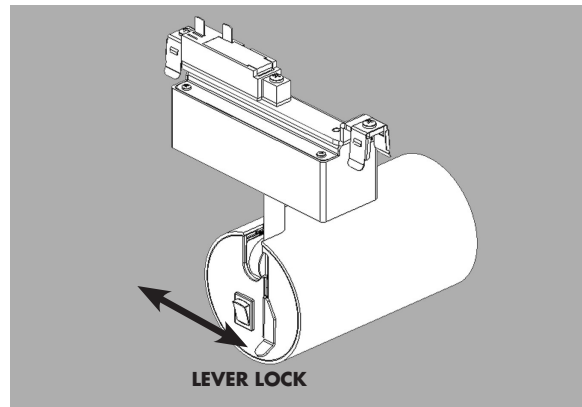
*Note:*  
If track has been wired for two-circuits, fixture may be changed from one circuit to the other by rotating the entire fixture 180°.



UpLine track shown

## adjustment

- Lift the 'lever lock' to free the fixture swivel.
- Adjust fixture as desired. Fixture rotates 360° horizontally and tilts 90° vertically.
- Lock adjustment by pressing the lever lock down so that it lies flush with the top of the fixture.

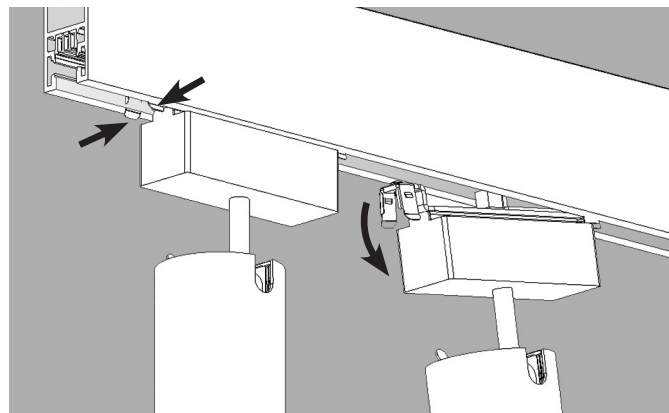


LEVER LOCK

## removal

Relocate fixtures by removing and reinstalling at new location; do not attempt to slide track plugs within the track.

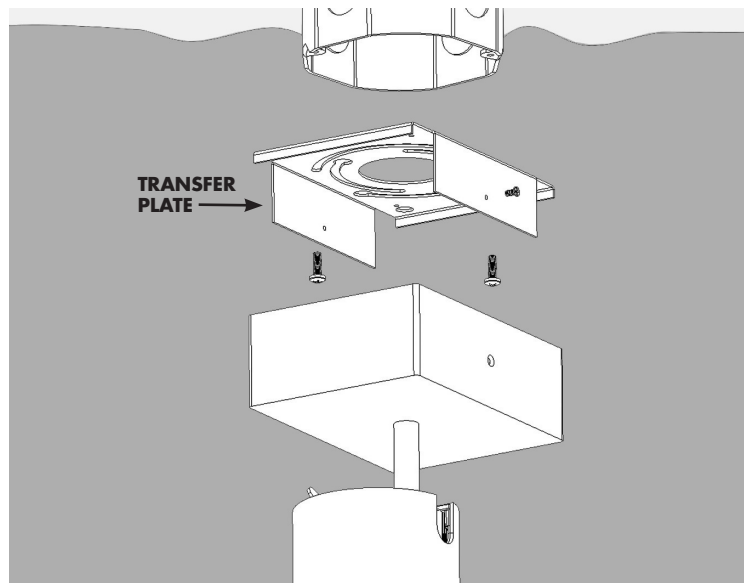
- Compress one plug spring and pivot the plug downward. Pull plug free of track.



## outlet box mounting

The outlet-box-mounted (-OBM) version of this fixtures is designed to mount to a 4" octagonal box (by others).

- Attach transfer plate to outlet box with two 8-32 screws (by others). Orient plate as required before tightening screws.
- Splice fixture leads to building wires: black leads to hot wire, white lead to neutral, green lead to ground.
- Put wire nuts on splices. Stuff splices into outlet box.
- Attach fixture to transfer plate with the two 4-40 screws provided.



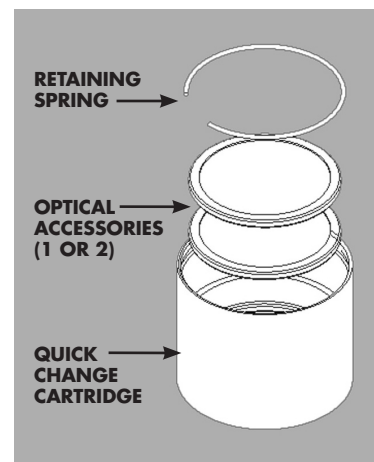
## optical accessories

Edison Price Lighting Optical Accessories include spread lenses, beam smoothers, color filters and light reduction screens. To add or changes accessories, follow the following steps.



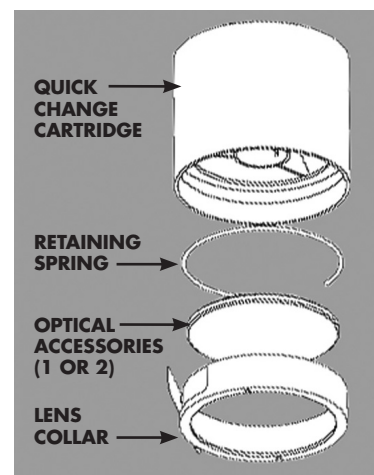
MiniMax LED O  
MiniMax LED LH  
MiniMax LED NSP LH

1. Pull the Quick Change Cartridge (QCC) out of the housing.
2. Insert one or two accessories into the QCC.
3. Squeeze and insert the retaining spring until it reaches the accessory.
4. Insert the QCC into the fixture until it snaps into place.
5. Orient lens, if any, by rotating the QCC.



MiniMax LED NSP

1. Pull the Quick Change Cartridge (QCC) out of the fixture.
2. Remove the Lens Collar from the QCC.
3. Insert one or two accessories into the top of the Lens Collar.
4. Squeeze and insert the retaining spring until it reaches the accessory.
5. Push the Lens Collar back into QCC.
6. Insert the QCC into the fixture until it snaps in place.
7. Orient lens, if any, by rotating the Lens Collar.



## maintenance

Clean lens with a non-abrasive window washing product and lint-free towel. To clean housing and optical components, use a detergent suitable for kitchen counters or walls. Do not use abrasive cleansers. Rinse with damp cloth.